



Tyre Inflation Systems

Spare parts list

2024

valid from 01.01.2024



Sale only through specialist dealers



Table of Contents

AIRBOOSTER®plus	3
AIRBOOSTER Standard	4
ISOBUS control	5
ISOBUS control exchange parts	6
Digital control	7
Digital control exchange parts	8
Dual-line speed wheel valve	9
2L wheel valve	10 – 12
Manual valve 1L	13
Tyre valves	14 – 15
Rotary union RDS/GW 2L for slurry tankers and trailers 11 t BPW axle	16
Rotary union RDS/GW 2L for slurry tankers and trailers 12 t BPW axle	17
Rotary union RDS/GW 2L for slurry tankers and trailers 14 t BPW axle	18
Rotary union RDS/GW 1L for slurry tankers and trailers 11 t BPW axle	19
Rotary union RDS/GW 1L for slurry tankers and trailers 12 t BPW axle	20
Rotary union RDS/GW 1L for slurry tankers and trailers 14 t BPW axle	21
Rotary union RDS/GW 1L and 2L 11 t, 12 t, 14 t BPW axle	22 – 23
Rotary union 2L for ADR axle AF190	24
Rotary union 2L for ADR axle AF155	25
Rotary union 2L for ADR axle AF145	26
Rotary union 1L for ADR axle AF190	27
Rotary union 1L for ADR axle AF155	28
Rotary union 1L for ADR axle AF145	29
Rotary union RDS/GW 1L and 2L SW145, 155, 190 ADR axle	30
Repair kits and individual parts for rotary union BPW and ADR	31
Rotary union RDS/GW 2L for slurry tankers and trailers Universal axle	32
Rotary union RDS/GW 1L for slurry tankers and trailers Universal axle	33
Rotary union RDS/GW 1L and 2L universal	34
AIRBOX/drive 2L for slurry tankers and trailers 14 mm PA tube	35
Rotary union AIRBOX/drive 1L and 2L 14 pipe system	36
AIRBOX/drive 2L for slurry tankers and trailers 12 mm PA tube	37
AIRBOX/drive 1L for slurry tankers and trailers 12 mm PA tube	38
Rotary union AIRBOX/drive 1L and 2L	39
Bracket set screw round flanges	40
Flanges	41
Brackets and Half brackets	42
Telescopic tube	43
Rotary union for tractors with bar axle	44 – 45
Clamp rings	46
Rotors	47
Corrugated tube DN 19 and DN 23	48
Plug-in connector and lines 4 mm PA	49 – 50
Plug-in connector and lines 12 mm PA	51
Plug-in connector and lines 14 mm PA	52 – 53
Hose connectors	54
OLN hose, steel mesh hose and high pressure hose	55
Plug-in connectors	56 – 57
Seal plugs and composite seal rings	58
Various connectors	59 – 61
V2000AS/V2000/V4000	62 – 63
S1000G2/S1000/S2000/S4000	64 – 65
K500/K1000	66
K3000	67
Couplings	68
Hydraulic motors and sealings	69
Hydraulic components	70
Connector/Socket	71
Regulation Units	72 – 73



Spare parts catalogue 2024
Valid from 01.01.2024

AIRBOOSTER®plus

PTG-X-735-020

Connector with cap for
AIRBOOSTER®plus, VG12, 4
piece



PTG-X-900-041

Protective cap with cord und loop
AIRBOOSTER®plus



PTG-X-010-011

Adaptor AIRBOOSTER®plus -
classic valve



PTG-X-650-044

Connector M12 x 1.5 to VG12, 4
piece



PTG-X-735-021

Adaptor AIRBOOSTER Standard
to AIRBOOSTER®plus



PTG-X-060-009

AIRBOOSTER®plus deflator with
pressure gauge, 0 – 4 bar



PTG-X-510-017

Exchange manometer 0 – 4 bar,
AIRBOOSTER®plus with sealing



PTG-X-020-026

Trailer brake coupling head with
air connector for
AIRBOOSTER®plus



PTG-X-711-001

Filling hose AIRBOOSTER®plus



PTG-X-620-060

Pressure protected connection
58psi AIRBOOSTER®plus



PTG-X-890-005

Screw tap M12 x 1.5



PTG-X-010-016

Adaptor from AIRBOX/mobil or
AIRBOOSTER Standard to
AIRBOOSTER®plus



PTG-X-731-120

Closing coupling for
AIRBOOSTER®plus handheld unit





Spare parts catalogue 2024
Valid from 01.01.2024

AIRBOOSTER Standard

PTG-X-060-001



Deflator AIRBOOSTER Standard with pressure gauge 0 – 4 bar

PTG-X-060-003



Deflator AIRBOOSTER Standard with pressure gauge 0 – 10 bar

PTG-X-510-009



Replacement pressure gauge AIRBOOSTER Standard 0 – 4 bar with sealing liquid

PTG-X-730-008



Quick couplings for AIRBOOSTER Standard VG12, set of four

PTG-X-900-006



Protective cap for coupling AIRBOOSTER Standard

PTG-X-130-007



Gasket VG12, 4 piece

PTG-X-010-001



Valve adapter AIRBOOSTER Standard to standard valve

PTG-X-010-008



Adaptor AIRBOX/mobil and AIRBOOSTER Standard to classical valve

PTG-X-010-019



Adaptor with elbow flange for AIRBOOSTER Standard

PTG-X-010-020



Flexible extension AIRBOOSTER Standard



Spare parts catalogue 2024
Valid from 01.01.2024

ISOBUS control



PTG-X-705-021
ECU ISOBUS **Specify machine type and number of axles when ordering**



PTG-X-646-017
ERV ISOBUS 2L rear axle, PA14, p_{\max} : 2,7 bar



PTG-X-646-015
ERV ISO 2L front axle, T-fitting PA14



PTG-X-646-018
ERV ISO 2L trailer up to 3 Axle, PA14, p_{\max} : 4,5 bar



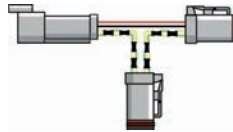
PTG-X-181-024
Wire harness sub-assembly (Rear, CAN, Power)



PTG-X-181-019
Wire harness ISOBUS (front)



PTG-X-181-023
Wire harness ISOBUS (axle extension) 1.5 m (5')



PTG-X-181-020
Wire harness ISOBUS (CAN 4p)



PTG-X-181-021
Wire harness ISOBUS (universal power extension)



PTG-X-181-022
Wire harness ISOBUS (power extension for JD 6R)



PTG-X-312-150
Extension cord 2.5 m



PTG-X-181-044
ISOBUS-connector cable trailer, terminated eKomp



PTG-X-181-043
ISOBUS connector cable trailer eKomp



Spare parts catalogue 2024
Valid from 01.01.2024

ISOBUS control exchange parts



PTG-A-705-921

Refurbed ECU ISOBUS Specify machine type and number of axles when ordering.



PTG-A-646-917

Exchange part - ERV ISO 2L rear



PTG-A-646-915

Exchange part - ERV ISO 2L front



PTG-A-646-918

Exchange part - ERV ISO 2L trailer



Spare parts catalogue 2024
Valid from 01.01.2024

Digital control



PTG-X-750-003
RDS/control unit, English, psi/bar



PTG-X-646-020
ERV digital 2L rear, PA14, p_{max}:
2,7 bar



PTG-X-646-021
ERV digital 2L front, PA14, p_{max}:
2,7 bar, T-coupling PA 14



PTG-X-646-022
ERV digital 2L trailer up to 3
axles, PA 14, p_{max}: 4,5 bar



PTG-X-184-022
Power cable tractor, ERV digital,
4,5 m



PTG-X-184-001
Signal cable for tractor, ERV
digital, 4,5 m



PTG-X-184-025
Link cable tractor ERV digital front
to rear, 2.0 m



PTG-X-181-016
Harness 4- and 5-pins, trailer ERV,
with compressor 11.0 m



PTG-X-181-035
Cable 3- and 5-pin, trailer ERV,
without compressor, 11.0 m



PTG-X-181-039
Wiring harness 3- and 5-pin, trailer
ERV, without compressor, 18.0 m



PTG-X-181-050
Cable 3- and 5-pin, trailer ERV,
without compressor, 23.0 m



PTG-X-184-004
Data cable for ERV digital trailer,
11.0 m



PTG-X-181-034
Cable for ERV digital for trailer,
power compressor box, ERV 5.0 m



Spare parts catalogue 2024
Valid from 01.01.2024

Digital control exchange parts



PTG-A-646-920

Exchange part - ERV digital tractor rear axle, PA 14



PTG-A-646-921

Exchange part - ERV digital tractor front axle, PA 14

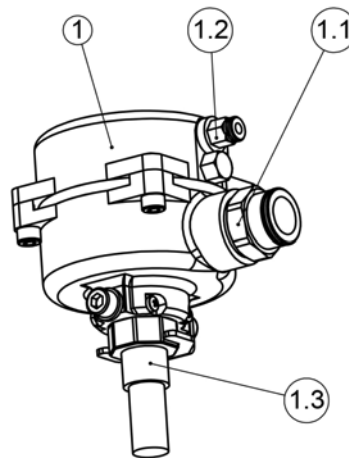


PTG-A-646-922

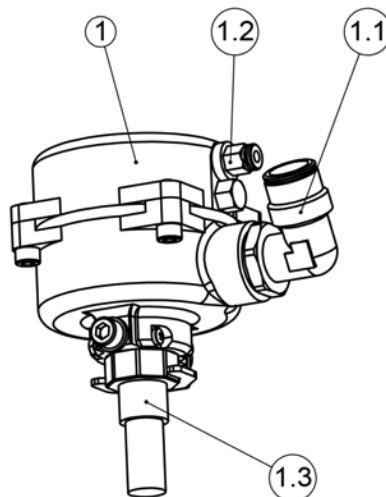
Exchange part - ERV digital trailer/planter/sprayer PA 14



Dual-line speed wheel valve



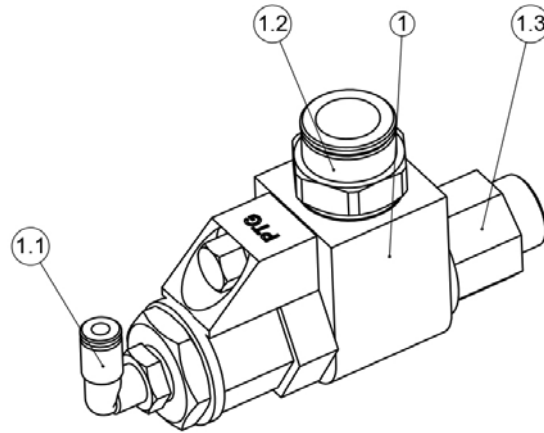
Pos.	Quantity	Part number	Name	Dimension
1	1	PTG-X-660-018	RDS 2L speed wheel valve for trailer	3/8"
1.1	1	PTG-X-863-084	Straight plug-in connector	M22 x 1,5-14
1.2	1	PTG-X-867-106	Straight plug-in connector, blue, with O-ring	1/8"zyl-4
1.3	1	PTG-X-650-067	Socket screw kit for RDS speed valves	3/8"



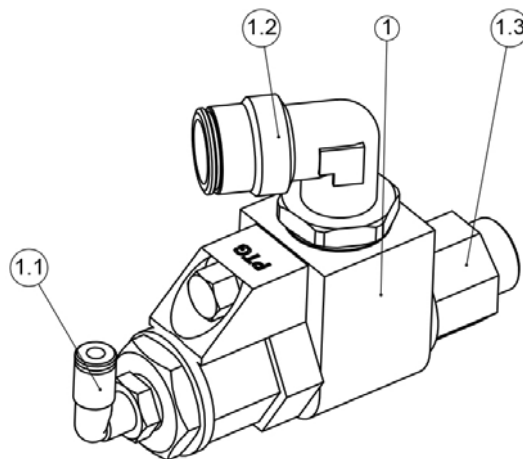
Pos.	Quantity	Part number	Name	Dimension
1	1	PTG-X-660-019	RDS 2L speed wheel valve for tractors	3/8"
1.1	1	PTG-X-863-085	Swiveling elbow plug-in connector	M22 x 1,5-14
1.2	1	PTG-X-867-106	Straight plug-in connector, blue, with O-ring	1/8"zyl-4
1.3	1	PTG-X-650-067	Socket screw kit for RDS speed valves	3/8"



2L wheel valve



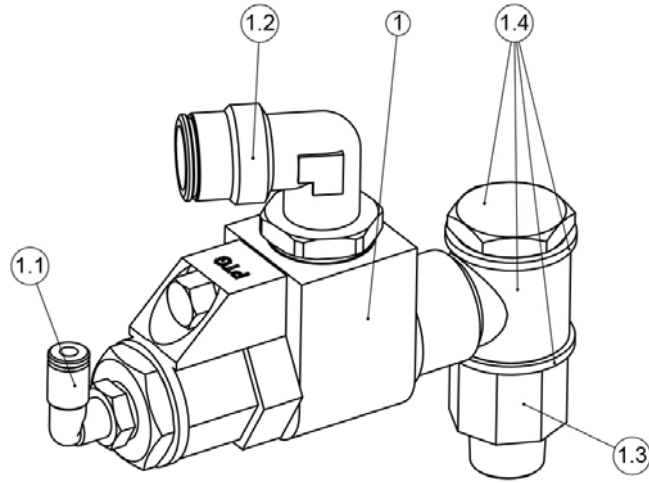
Pos.	Quantity	Part number	Name	Dimension
1	1	PTG-X-660-002	Wheel valve for trailer, 3/8" rim connection	-
1.1	1	PTG-X-867-111	Right angle plug-in connector, blue with O-ring	1/8"-4
1.2	1	PTG-X-863-084	Straight plug-in connector	M22 x 1,5-14
1.3	1	PTG-X-861-020	Reducer fitting	3/8"k-1/2i
1.4	1	PTG-X-210-008	Filter	1/2"



Pos.	Quantity	Part number	Name	Dimension
1	1	PTG-X-660-001	Wheel valve for tractor, 3/8" rim connection	-
1.1	1	PTG-X-867-111	Right angle plug-in connector, blue with O-ring	1/8"-4
1.2	1	PTG-X-863-085	Swiveling elbow plug-in connector	M22 x 1,5-14
1.3	1	PTG-X-861-020	Reducer fitting	3/8"k-1/2i
1.4	1	PTG-X-210-008	Filter	1/2"



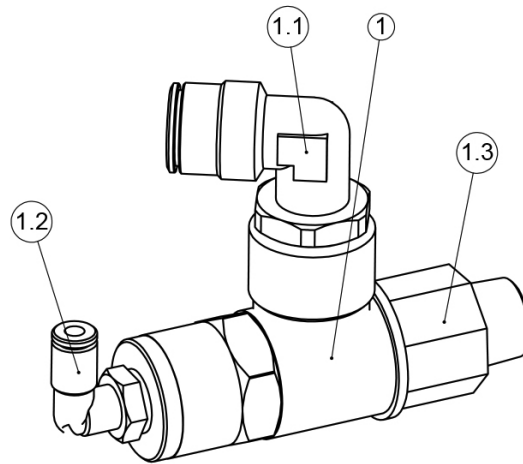
2L wheel valve



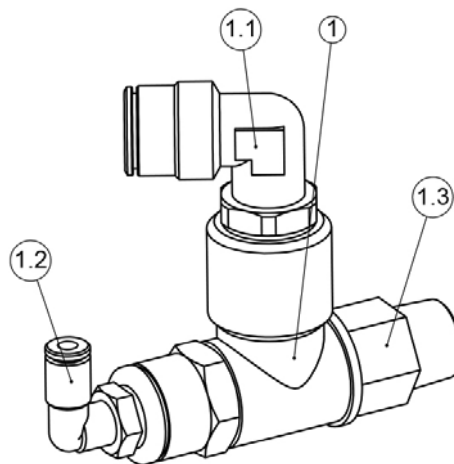
Pos.	Quantity	Part number	Name	Dimension
1	1	PTG-X-660-016	Wheel valve for tractor, 3/8" rim connection, lay down installation	-
1.1	1	PTG-X-867-111	Right angle plug-in connector, blue with O-ring	1/8"-4
1.2	1	PTG-X-863-085	Swiveling elbow plug-in connector	M22 x 1,5-14
1.3	1	PTG-X-861-020	Reducer fitting	3/8" k-1/2i
1.4	1	PTG-X-860-131	Screw connection set horizontal wheel valve rim connection	1/2" 3/8"
1.5	1	PTG-X-210-008	Filter	1/2"



2L wheel valve



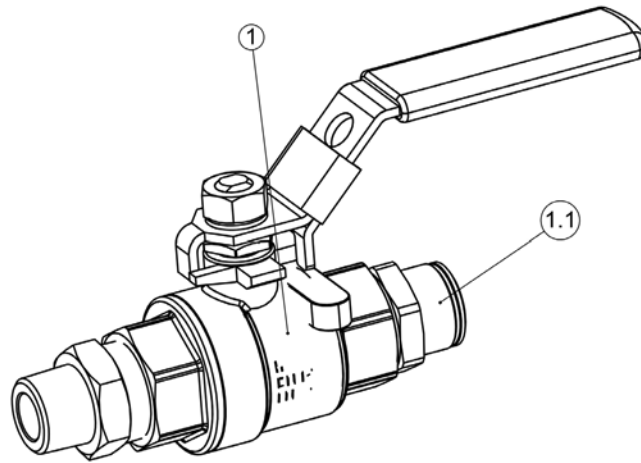
Pos.	Quantity	Part number	Name	Dimension
1	1	PTG-X-650-008	2L wheel valve rear axle, 1/2" Size 3/8" rim connection	-
1.1	1	PTG-X-863-017	Swiveling elbow plug-in connector	1/2"-12
1.2	1	PTG-X-867-111	Right angle plug-in connector, blue with O-ring	1/8"-4
1.3	1	PTG-X-861-020	Reducer fitting	3/8" k-1/2i
1.4	1	PTG-X-210-008	Filter	1/2"



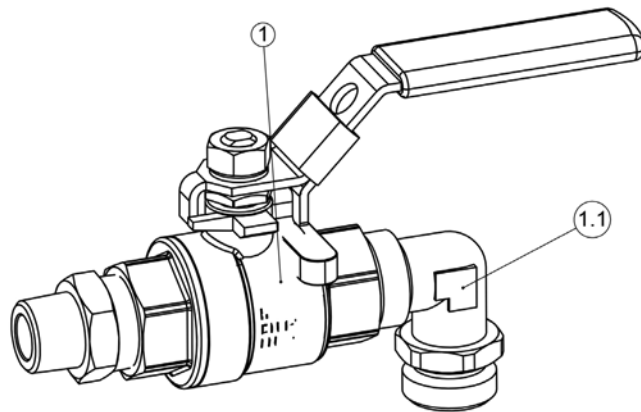
Pos.	Quantity	Part number	Name	Dimension
1	1	PTG-X-650-002	2L wheel valve front axle, 3/8" Size 3/8" rim connection	-
1.1	1	PTG-X-863-023	Swiveling elbow plug-in connector	3/8"-12
1.2	1	PTG-X-867-111	Right angle plug-in connector, blue with O-ring	1/8"-4
1.3	1	PTG-X-861-139	Reducer fitting	3/8"
1.4	1	PTG-X-210-009	Filter	3/8"



manual valve 1L



Pos.	Menge	PTG-Artikelnr.	Benennung	Dimension
1	1	PTG-X-860-081	Manual valve, for tractors	3/8"
1.1	1	PTG-X-863-028	Straight plug-in connector	1/2"-12



Pos.	Menge	PTG-Artikelnr.	Benennung	Dimension
1	1	PTG-X-860-006	Manual valve RDS/GW 1L for trailer	3/8"
1.1	1	PTG-X-863-007	Swiveling elbow plug-in connector	1/2"-14



Spare parts catalogue 2024
Valid from 01.01.2024

Tyre valves



PTG-X-660-018
RDS 2L speed wheel valve for trailer, 3/8" rim connection



PTG-X-660-019
RDS 2L speed wheel valve for tractors, 3/8" rim connection



PTG-X-650-067
Socket screw kit for RDS speed valves



PTG-X-660-001
Wheel valve for tractor, 3/8" rim connection



PTG-X-660-002
Wheel valve for trailer, 3/8" rim connection



PTG-X-660-016
Wheel valve for tractor, 3/8" rim connection, lay down installation



PTG-X-650-008
ABX/dr. 2L wheel valve rear axle, 1/2" Size
3/8" rim connection



PTG-X-650-002
ABX/dr. 2L wheel valve front axle, 3/8" Size
3/8" rim connection, 12mm line



PTG-X-861-020
Reducer fitting 3/8" male to 1/2" female



PTG-X-861-139
Reducer fitting 3/8" male to 3/8" female only for PTG-X-650-002



PTG-X-860-081
Manual valve, AD1L for tractors, for 12 mm tube, 3/8" rim connection



PTG-X-860-006
Manual valve RDS/GW 1L for trailer, 3/8" rim connection



PTG-X-650-068
AD2L Wheel valve 1/4" - 8mm PA for planter



PTG-X-210-009
3/8" Filter for PTG-X-650-002



Spare parts catalogue 2024
Valid from 01.01.2024

PTG-X-210-008

1/2" Filter



PTG-X-890-006

Step drill Ø15 mm to drill rims



PTG-X-890-004

G3/8" screw tap with hex-nut



PTG-X-651-014

Air/water valve



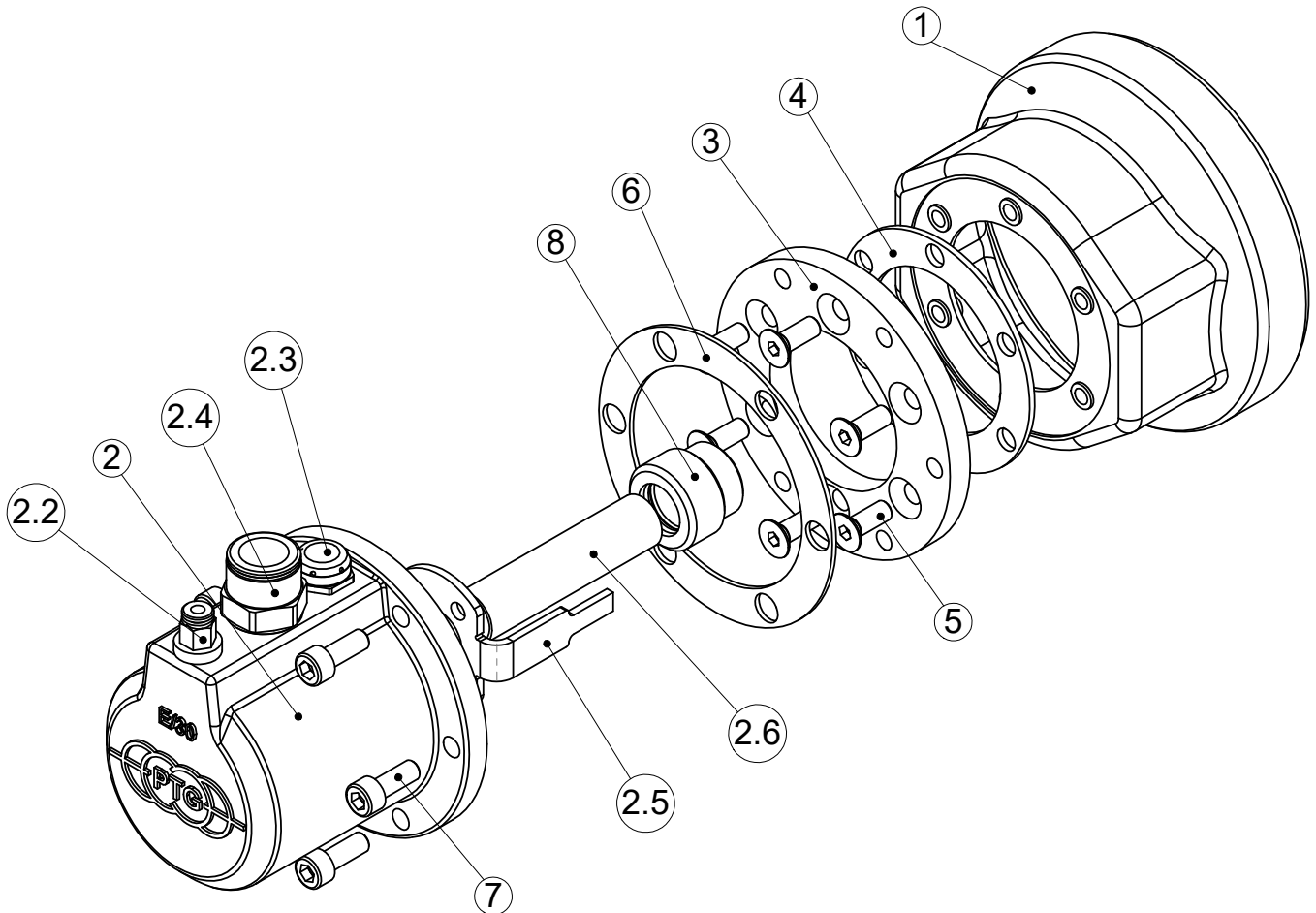
PTG-X-455-023

Test case for PTG systems





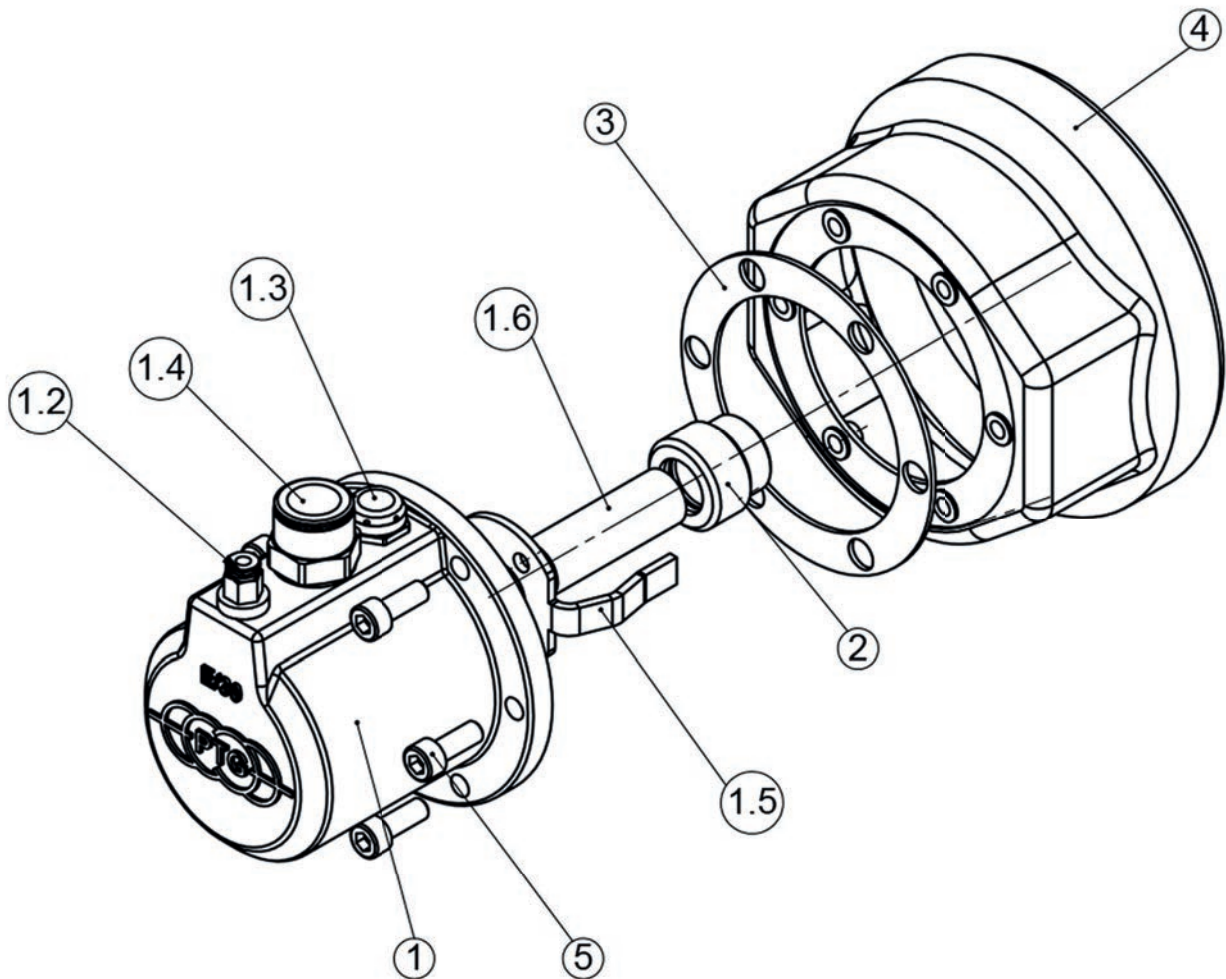
Rotary union RDS/GW 2L for slurry tankers and trailers 11 t BPW axle



Pos.	Quantity	Part number	Description	Dimension
1	1	PTG-X-125-038	Grease cap BPW 11t axle	–
2	1	PTG-X-120-057	RDS/GW 2L rotary union, 11t axle BPW	2 L
2.1	1	PTG-R-670-019	Repair set rotary union GW 2-lines	2 L
2.2	1	PTG-X-867-106	Straight plug-in connector, blue, with O-ring	1/8" - 4
2.3	1	PTG-X-130-016	Pressure equalization element	M12 x 1,5
2.4	1	PTG-X-863-004	Straight plug-in connector	1/2" - 14
2.5	1	PTG-X-321-306	Torque support	–
2.6	1	PTG-X-713-025	Tube section PA 16x1 blue	length 67 mm
3	1	PTG-X-321-307	Adapter ring	–
4	1	PTG-X-136-098	Sealing ring	–
5	6	PTG-X-721-159	Countersunk head screw	M6 x 16
6	1	PTG-X-136-089	Flat gasket for rotary union	–
7	1	PTG-X-720-044	6x cylinder screws, coated with threadlocker	M6 x 16
8	1	PTG-X-860-166	Straight screw socket	G3/4"



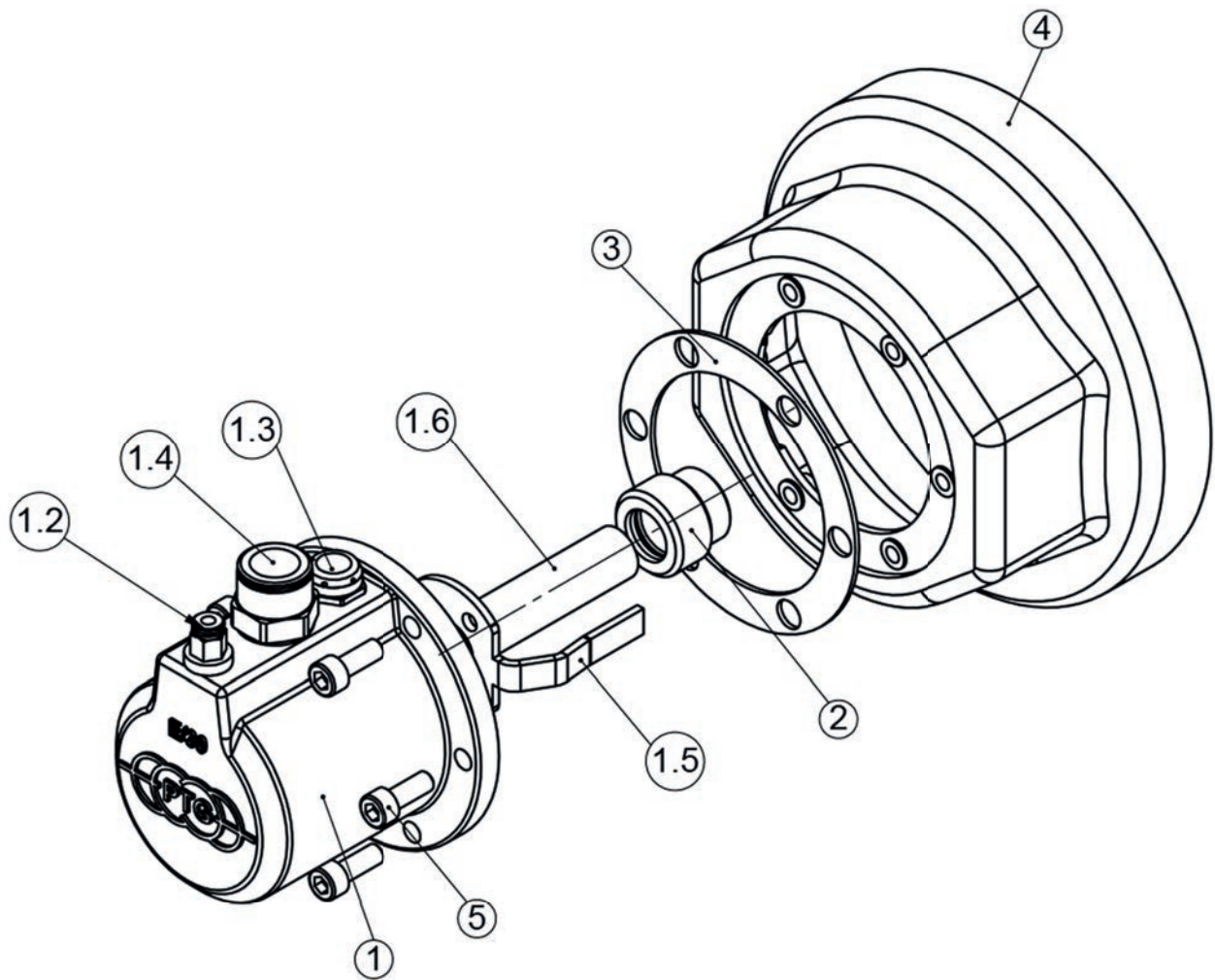
Rotary union RDS/GW 2L for slurry tankers and trailers 12 t BPW axle



Pos.	Quantity	Part number	Description	Dimension
1	1	PTG-X-120-038	Rotary union	2L
1.1	1	PTG-R-670-019	Repair set	2L
1.2	1	PTG-X-867-106	Straight plug-in connector	1/8" – 4
1.3	1	PTG-X-130-016	Pressure equalization element	–
1.4	1	PTG-X-863-004	Straight plug-in connector	1/2" – 14
1.5	1	PTG-X-321-072	Torque support	–
1.6	1	PTG-X-713-018	Tube 50 mm	16 x 1
2	1	PTG-X-860-166	Straight screw socket	G 3/4"
3	1	PTG-X-136-089	Flat gasket	–
4	1	PTG-X-125-005	Grease cap	–
5	1	PTG-X-720-044	Kit of 6 bolts	M6 x 16



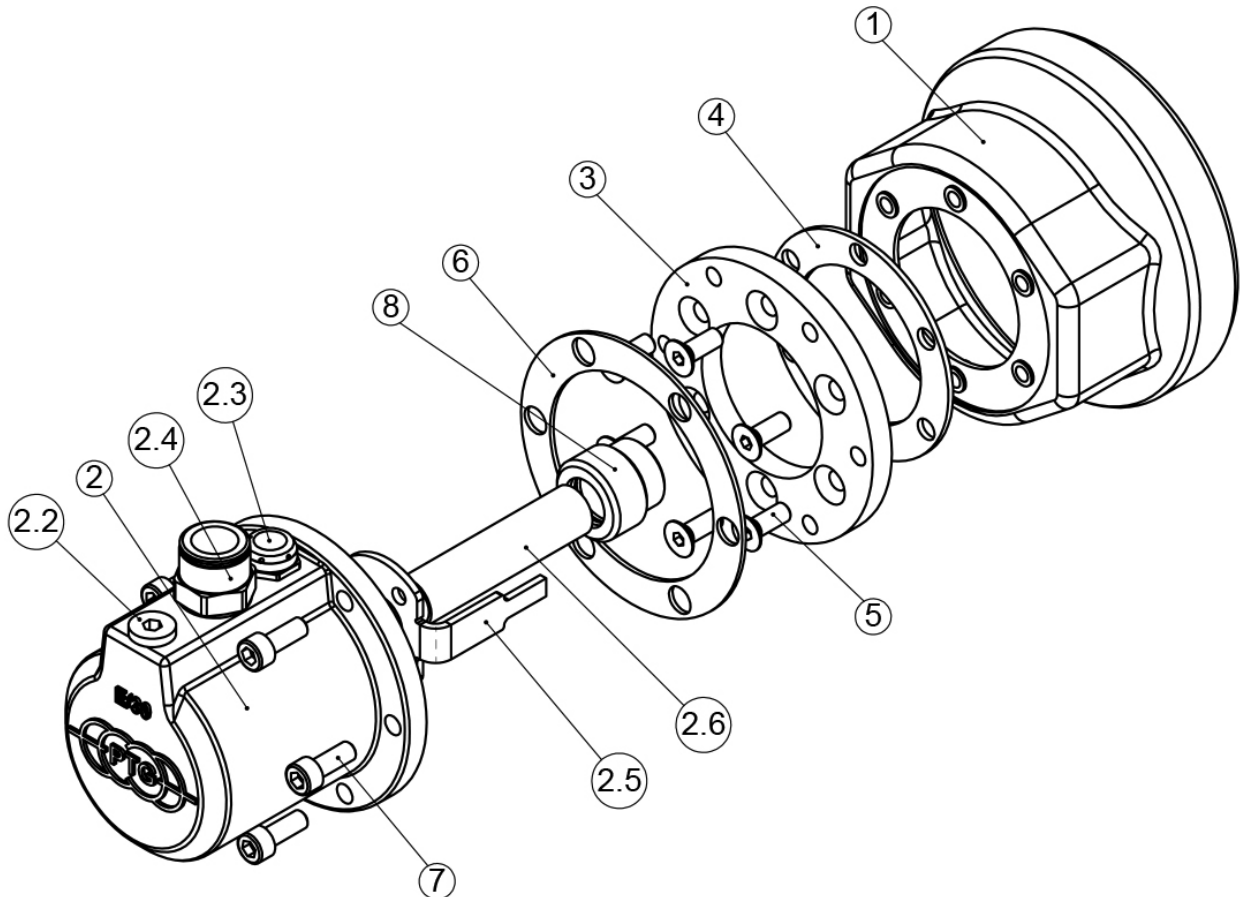
Rotary union RDS/GW 2L for slurry tankers and trailers 14 t BPW axle



Pos.	Quantity	Part number	Description	Dimension
1	1	PTG-X-120-042	Rotary union	2L
1.1	1	PTG-R-670-019	Repair set	2L
1.2	1	PTG-X-867-106	Straight plug-in connector	1/8" – 4
1.3	1	PTG-X-130-016	Pressure equalization element	-
1.4	1	PTG-X-863-004	Straight plug-in connector	1/2" – 14
1.5	1	PTG-X-321-073	Torque support	-
1.6	1	PTG-X-713-017	Tube 55 mm	16 x 1
2	1	PTG-X-860-166	Straight screw socket	G 3/4"
3	1	PTG-X-136-089	Flat gasket	-
4	1	PTG-X-125-007	Grease cap	-
5	1	PTG-X-720-044	Kit of 6 bolts	M6 x 16



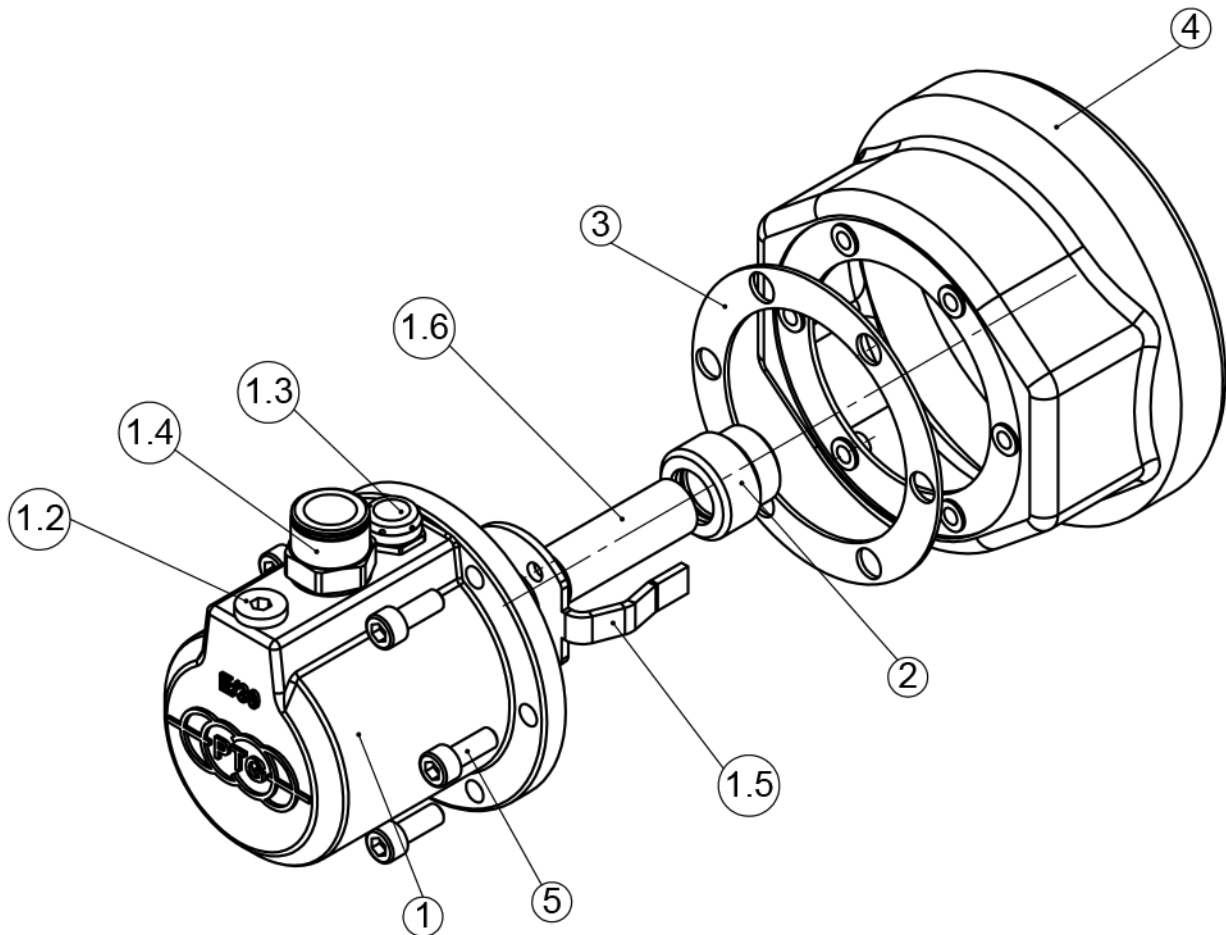
Rotary union RDS/GW 1L for slurry tankers and trailers 11 t BPW axle



Pos.	Quantity	Part number	Description	Dimension
1	1	PTG-X-125-038	Grease cap BPW	–
2	1	PTG-X-120-058	RDS/GW 1L rotary union	1 L
2.1	1	PTG-R-670-020	Repair set rotary union	1 L
2.2	1	PTG-X-867-083	Hexagonal socket seal plug with O-ring	1/8"
2.3	1	PTG-X-130-016	Pressure equalization element	M12 x 1,5
2.4	1	PTG-X-863-004	Straight plug-in connector	1/2"-14
2.5	1	PTG-X-321-306	Torque support	–
2.6	1	PTG-X-713-025	Tube section blue length 67 mm	PA 16 x 1
3	1	PTG-X-321-307	Adapter ring	–
4	1	PTG-X-136-098	Sealing ring	–
5	6	PTG-X-721-159	Countersunk head screw	M6 x 16
6	1	PTG-X-136-089	Flat gasket for rotary union	Ø68 x 92 x 1,5
7	1	PTG-X-720-044	6x cylinder screws, coated with threadlocker	M6 x 16
8	1	PTG-X-860-166	Straight screw socket to 16 mm PA tube	G3/4"



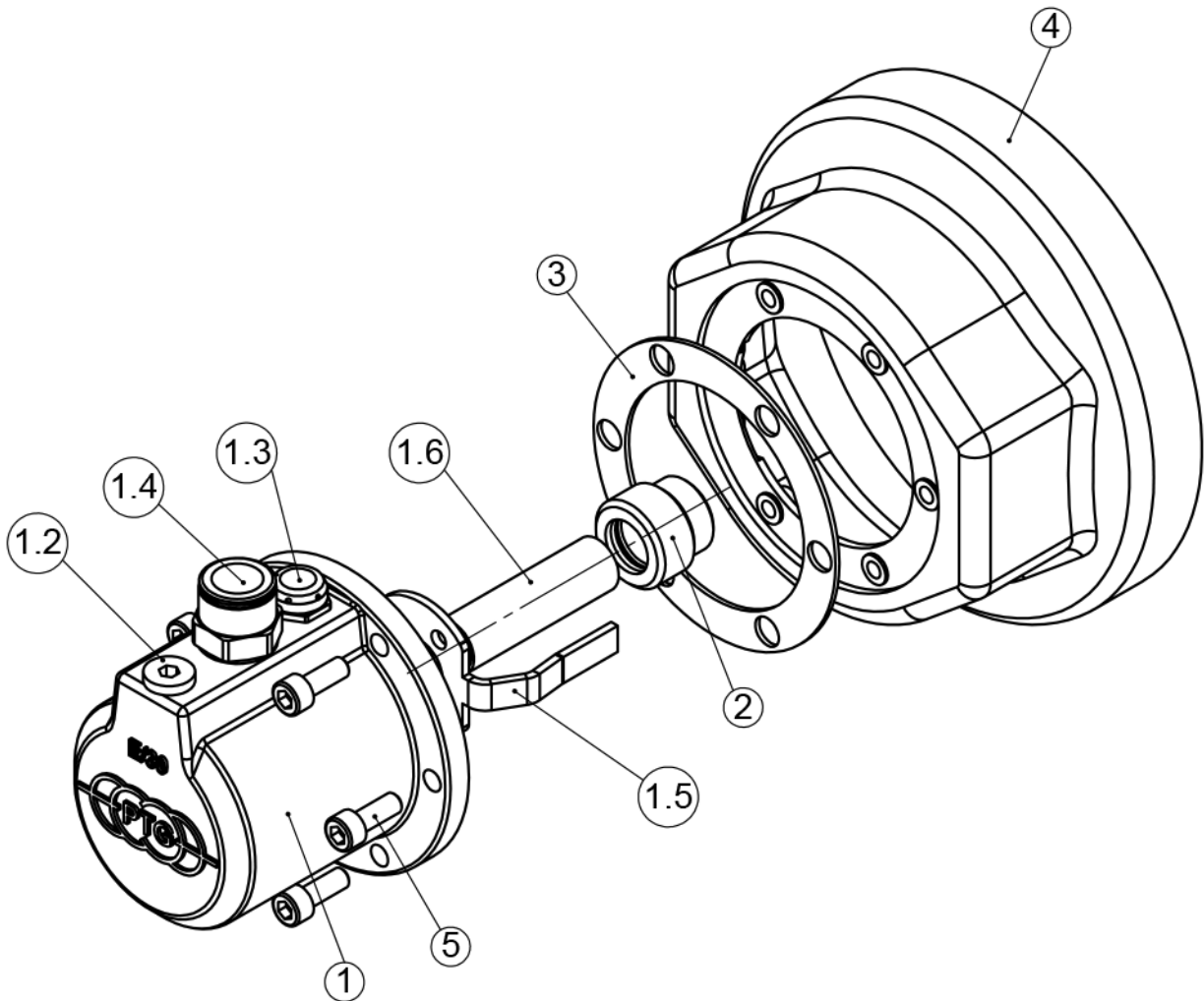
Rotary union RDS/GW 1L for slurry tankers and trailers 12 t BPW axle



Pos.	Quantity	Part number	Description	Dimension
1	1	PTG-X-120-040	Rotary union	1L
1.1	1	PTG-R-670-020	Repair set	1L
1.2	1	PTG-X-867-083	Blind plug	1/8"
1.3	1	PTG-X-130-016	Pressure equalization element	–
1.4	1	PTG-X-863-004	Straight plug-in connector	1/2" – 14
1.5	1	PTG-X-321-072	Torque support	–
1.6	1	PTG-X-713-018	Tube 50 mm	16 x 1
2	1	PTG-X-860-166	Straight screw socket	G 3/4"
3	1	PTG-X-136-089	Flat gasket	–
4	1	PTG-X-125-005	Grease cap	–
5	1	PTG-X-720-044	Kit of 6 bolts	M6 x 16



Rotary union RDS/GW 1L for slurry tankers and trailers 14 t BPW axle



Pos.	Quantity	Part number	Discreption	Dimension
1	1	PTG-X-120-043	Rotary union	1L
1.1	1	PTG-R-670-020	Repair set	1L
1.2	1	PTG-X-867-083	Blind plug	1/8"
1.3	1	PTG-X-130-016	Pressure equalization element	-
1.4	1	PTG-X-863-004	Straight plug-in connector	1/2" - 14
1.5	1	PTG-X-321-073	Torque support	-
1.6	1	PTG-X-713-017	Tube 55 mm	16 x 1
2	1	PTG-X-860-166	Straight screw socket	G 3/4"
3	1	PTG-X-136-089	Flat gasket	-
4	1	PTG-X-125-007	Grease cap	-
5	1	PTG-X-720-044	Kit of 6 bolts	M6 x 16



Spare parts catalogue 2024
Valid from 01.01.2024

Rotary union RDS/GW 1L and 2L 11to+12to+14to Axle BPW

PTG-X-121-013

Rotary union kit RDS/GW 2L for
11-ton BPW axle



PTG-X-121-014

Rotary union kit RDS/GW 1L for
11-ton BPW axle



PTG-X-121-001

Rotary union kit RDS/GW 2L for
12-ton BPW axle



PTG-X-121-003

Rotary union kit RDS/GW 1L for
12-ton BPW axle



PTG-X-121-002

Rotary union kit RDS/GW 2L for
14-ton BPW axle



PTG-X-121-004

Rotary union kit RDS/GW 1L for
14-ton BPW axle



PTG-X-120-057

RDS/GW 2L rotary union, 11to
axle BPW



PTG-X-120-058

RDS/GW 1L rotary union, 11to
axle BPW



PTG-X-120-038

RDS/GW 2L rotary union, 12 t axle
BPW



PTG-X-120-040

RDS/GW 1L rotary union, 12 t axle
BPW



PTG-X-120-042

RDS/GW 2L rotary union, 14 t axle
BPW



PTG-X-120-043

RDS/GW 1L rotary union, 14 t axle
BPW



PTG-X-125-038

Grease cap BPW 11to axle



PTG-X-125-005

Grease cap BPW 12 t axle





Spare parts catalogue 2024
Valid from 01.01.2024

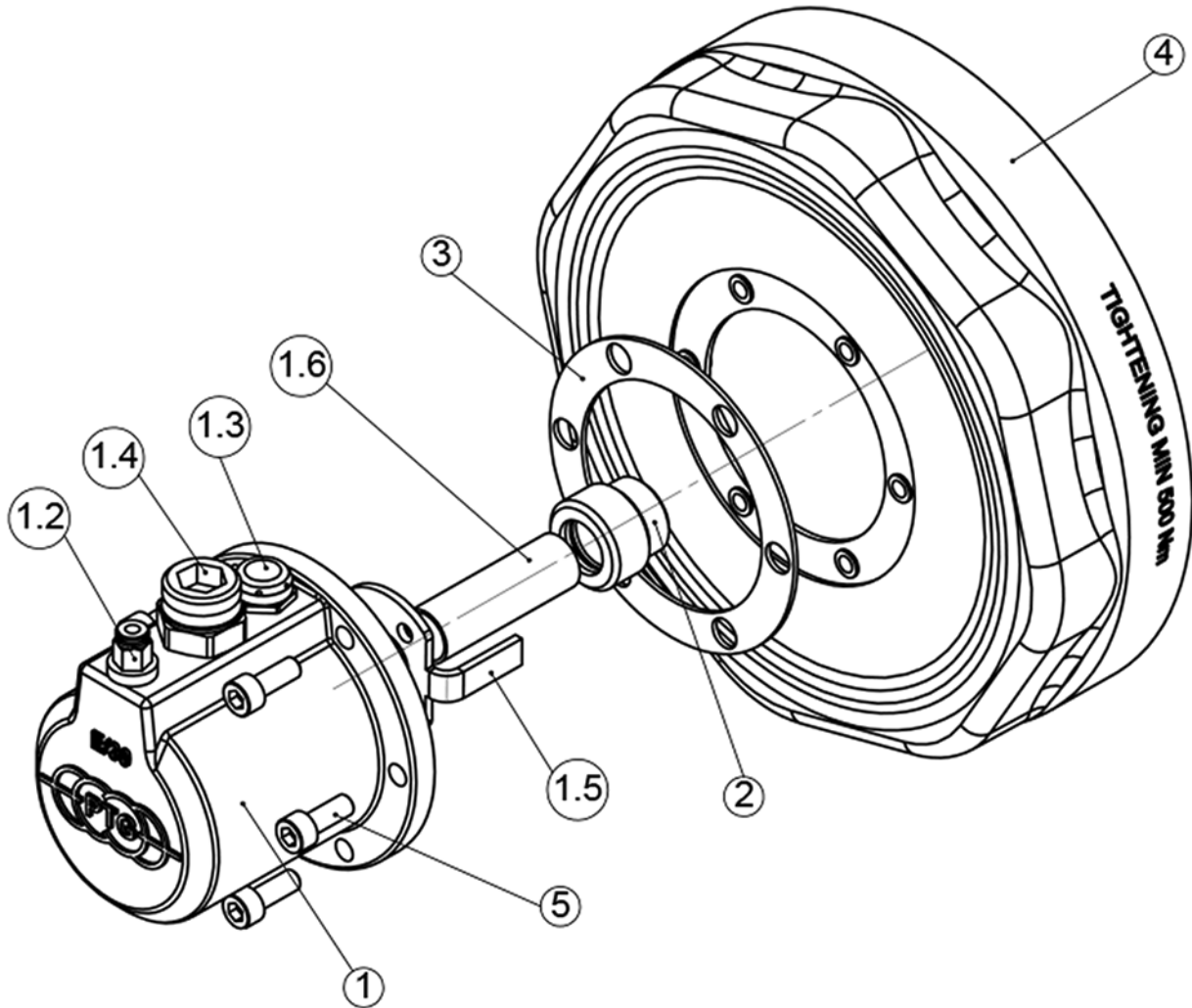
PTG-X-125-007

Grease cap BPW 14t axle





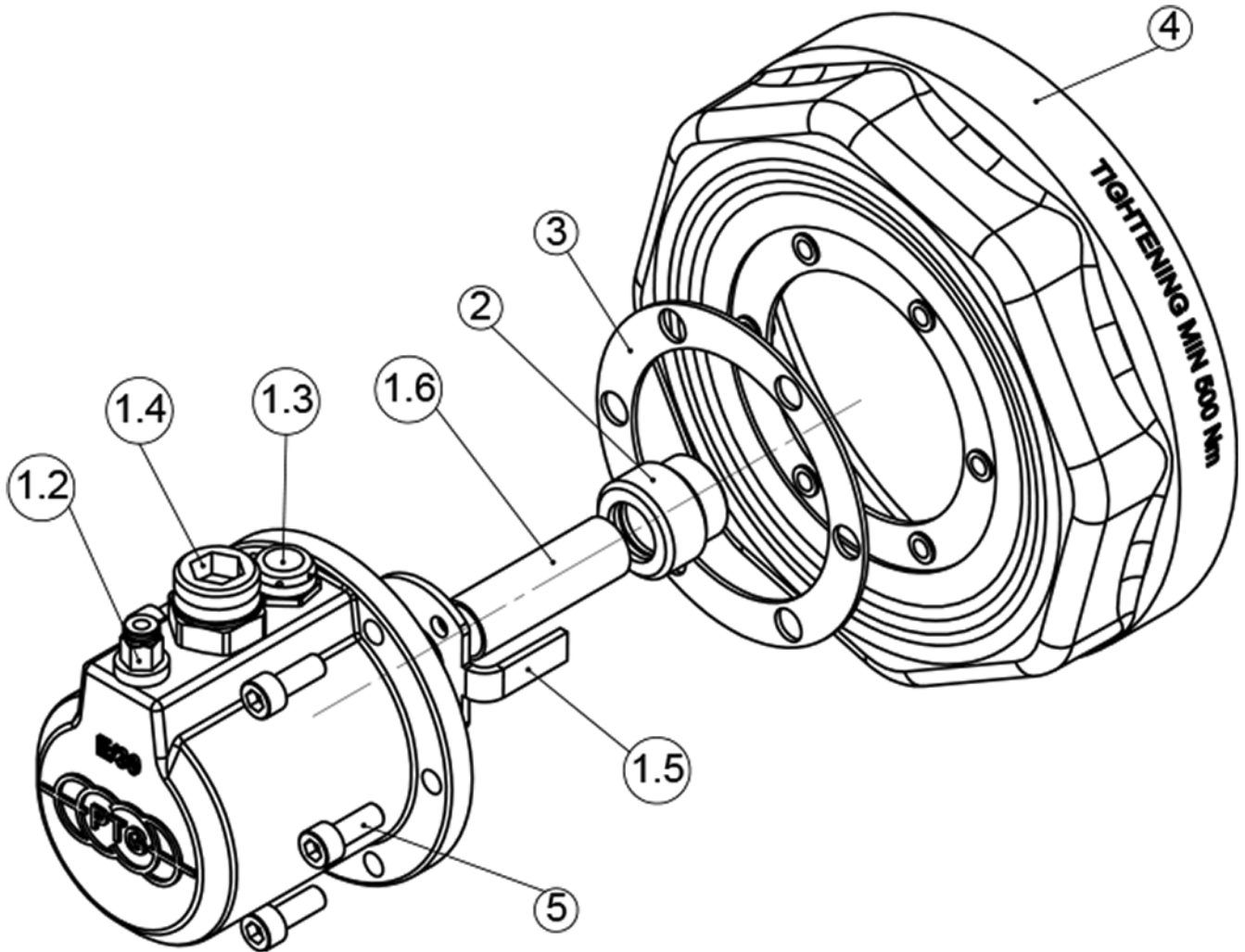
Rotary union 2L for ADR axle AF190



Pos.	Quantity	Part number	Description	Dimension
1	1	PTG-X-120-047	RDS/GW 2L Rotary union	2L
1.1	1	PTG-R-670-019	Repair set rotary union GW	2L
1.2	1	PTG-X-867-106	Straight plug-in connector, blue, with O-ring	1/8" - 4
1.3	1	PTG-X-130-016	Pressure equalization element	M12 x 1,5
1.4	1	PTG-X-863-004	Straight plug-in connector	1/2" - 14
1.5	1	PTG-X-321-218	Torque support	-
1.6	1	PTG-X-713-018	Tube section PA blue, length 50 mm	16 x 1
2	1	PTG-X-860-166	Straight screw socket to 16 mm PA tube	G 3/4"
3	1	PTG-X-136-089	Flat gasket for rotary union	-
4	1	PTG-X-125-031	Grease cap	-
5	1	PTG-X-720-044	6x cylinder screws, coated with threadlocker	M6 x 16



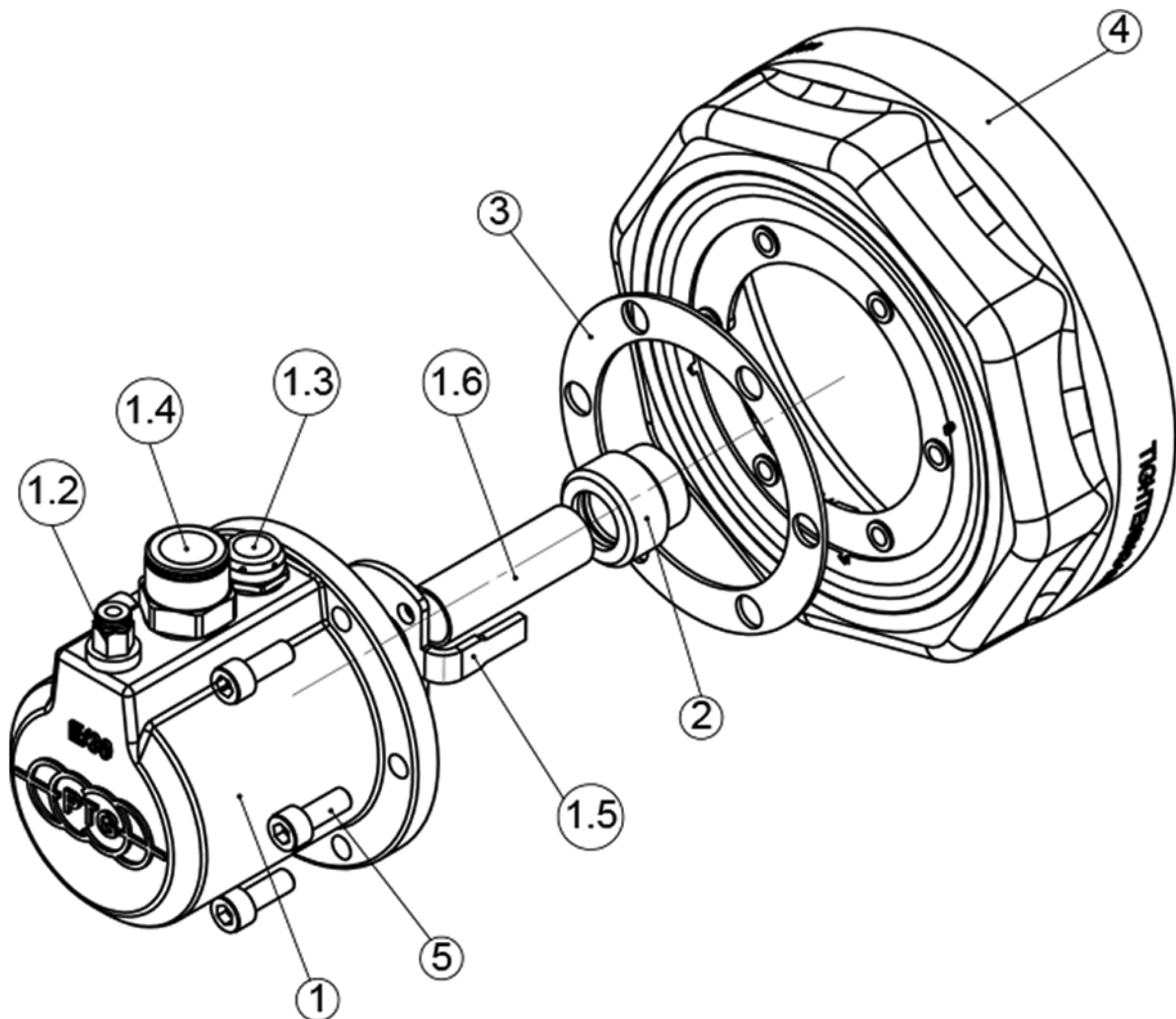
Rotary union 2L for ADR axle AF155



Pos.	Quantity	Part number	Description	Dimension
1	1	PTG-X-120-047	RDS/GW Rotary union	2L
1.1	1	PTG-R-670-019	Repair set rotary union GW	2L
1.2	1	PTG-X-867-106	Straight plug-in connector blue, with O-ring	1/8" - 4
1.3	1	PTG-X-130-016	Pressure equalization element	M12 x 1,5
1.4	1	PTG-X-863-004	Straight plug-in connector	1/2" - 14
1.5	1	PTG-X-321-218	Torque support	-
1.6	1	PTG-X-713-018	Tube section PA blue, length 50 mm	16 x 1
2	1	PTG-X-860-166	Straight screw socketto 16 mm PA tube	3/4"
3	1	PTG-X-136-089	Flat gasket for rotary union	-
4	1	PTG-X-125-032	Grease cap	-
5	1	PTG-X-720-044	6x cylinder screws, coated with threadlocker	M6 x 16



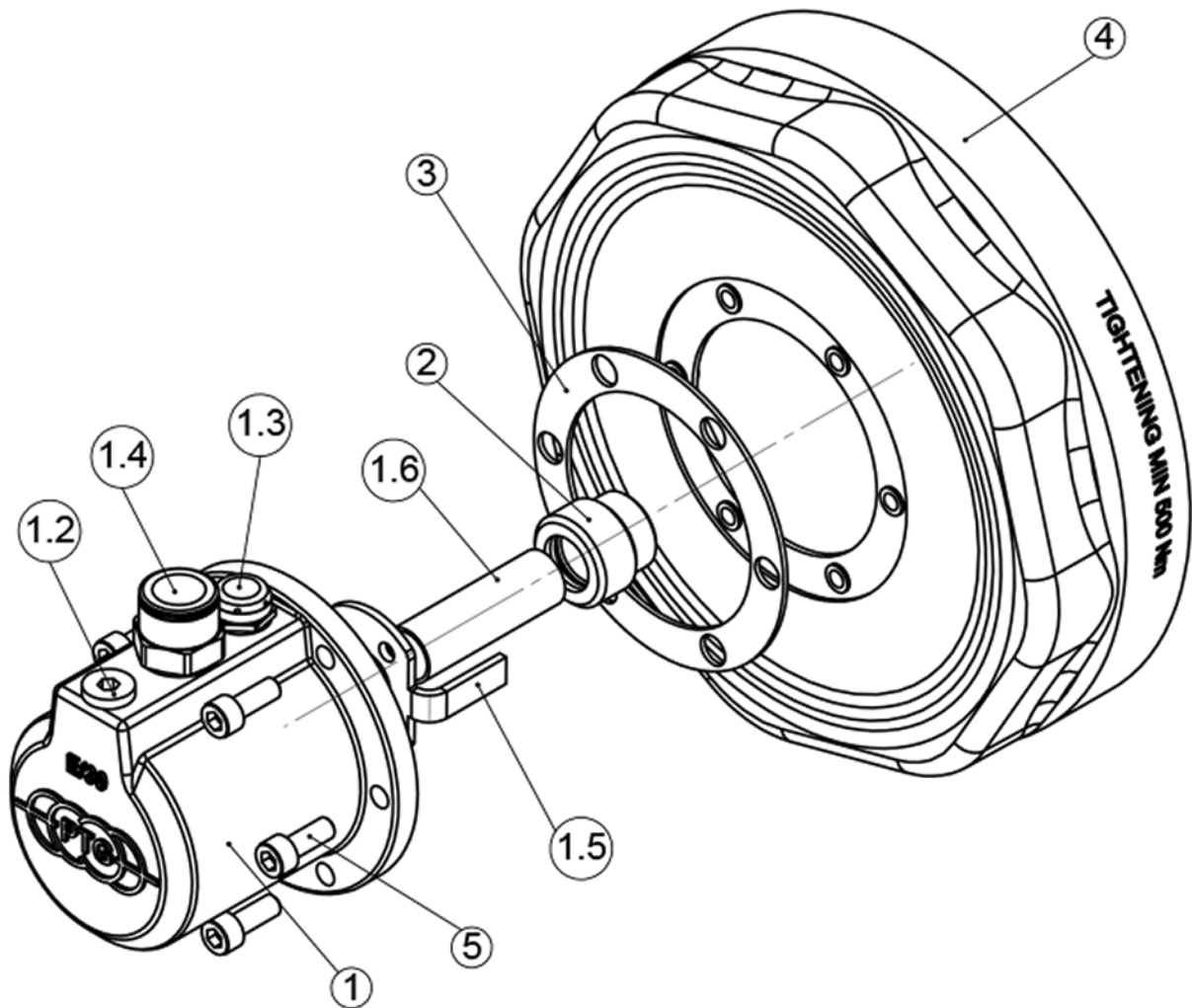
Rotary union 2L for ADR axle AF145



Pos.	Quantity	Part number	Description	Dimension
1	1	PTG-X-120-048	RDS/GW Rotary union	2L
1.1	1	PTG-R-670-019	Repair set rotary union GW	2L
1.2	1	PTG-X-867-106	Straight plug-in connector blue, with O-ring	1/8" - 4
1.3	1	PTG-X-130-016	Pressure equalization element	M12 x 1,5
1.4	1	PTG-X-863-004	Straight plug-in connector	1/2" - 14
1.5	1	PTG-X-321-219	Torque support	-
1.6	1	PTG-X-713-018	Tube section PA blue, length 50 mm	16 x 1
2	1	PTG-X-860-166	Straight screw socket to 16 mm PA tube	3/4"
3	1	PTG-X-136-089	Flat gasket for rotary union	-
4	1	PTG-X-125-033	Grease cap	-
5	1	PTG-X-720-044	6x cylinder screws, coated with threadlocker	M6 x 16



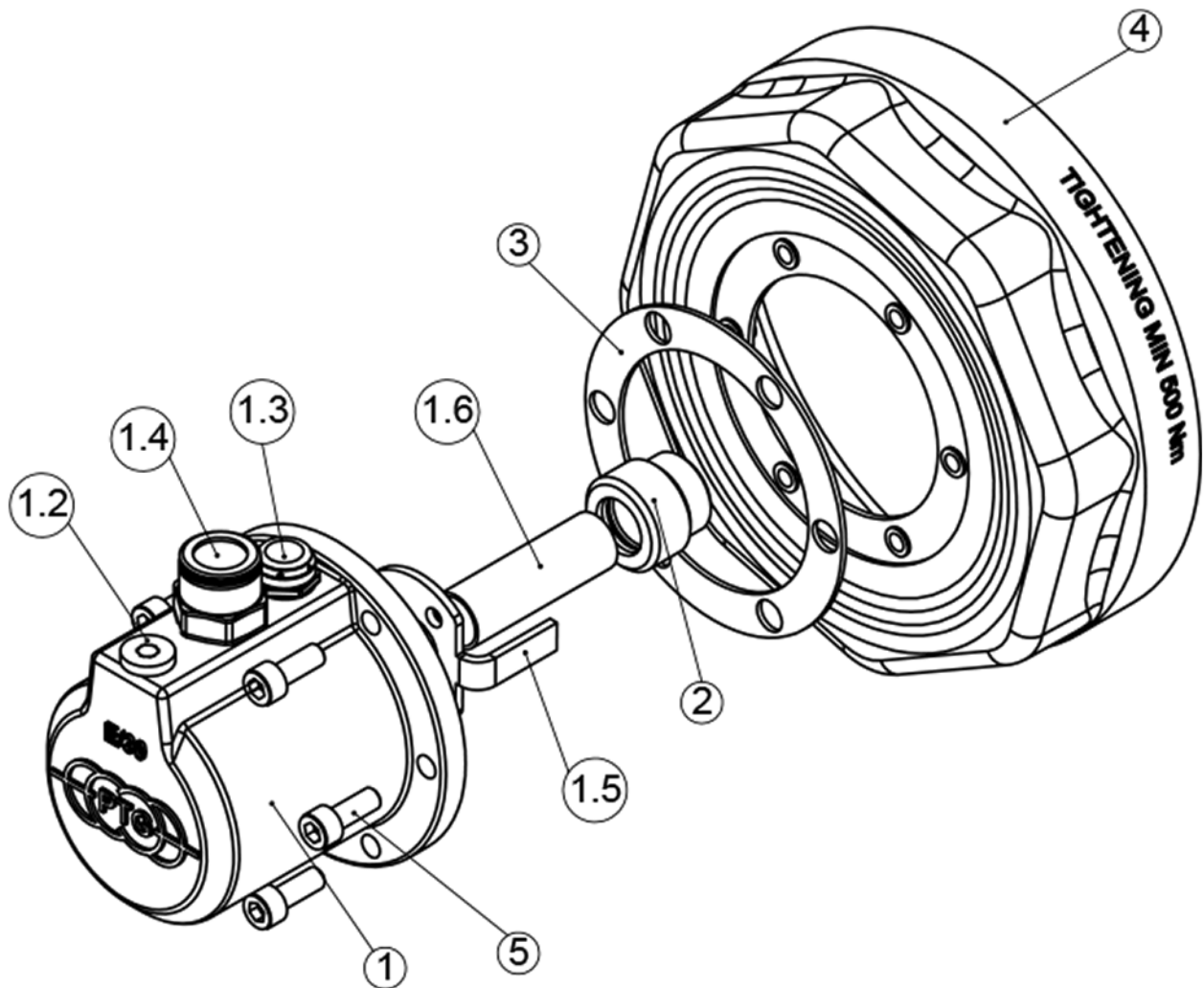
Rotary union 1L for ADR axle AF190



Pos.	Quantity	Part number	Name	Dimension
1	1	PTG-X-120-049	Joint tournant RDS/GW	1L
1.1	1	PTG-R-670-020	Repair set rotary union GW	1L
1.2	1	PTG-X-867-083	Hexagonal socket seal plug with O-ring	1/8"
1.3	1	PTG-X-130-016	Pressure equalization element	M12 x 1,5
1.4	1	PTG-X-863-004	Straight plug-in connector	1/2" – 14
1.5	1	PTG-X-321-218	Torque support	–
1.6	1	PTG-X-713-018	Tube section PA blue, length 50 mm	16 x 1
2	1	PTG-X-860-166	Straight screw socket to 16 mm PA tube	3/4"
3	1	PTG-X-136-089	Flat gasket for rotary union	–
4	1	PTG-X-125-031	Grease cap	–
5	1	PTG-X-720-044	6x cylinder screws coated with threadlocker	M6 x 16



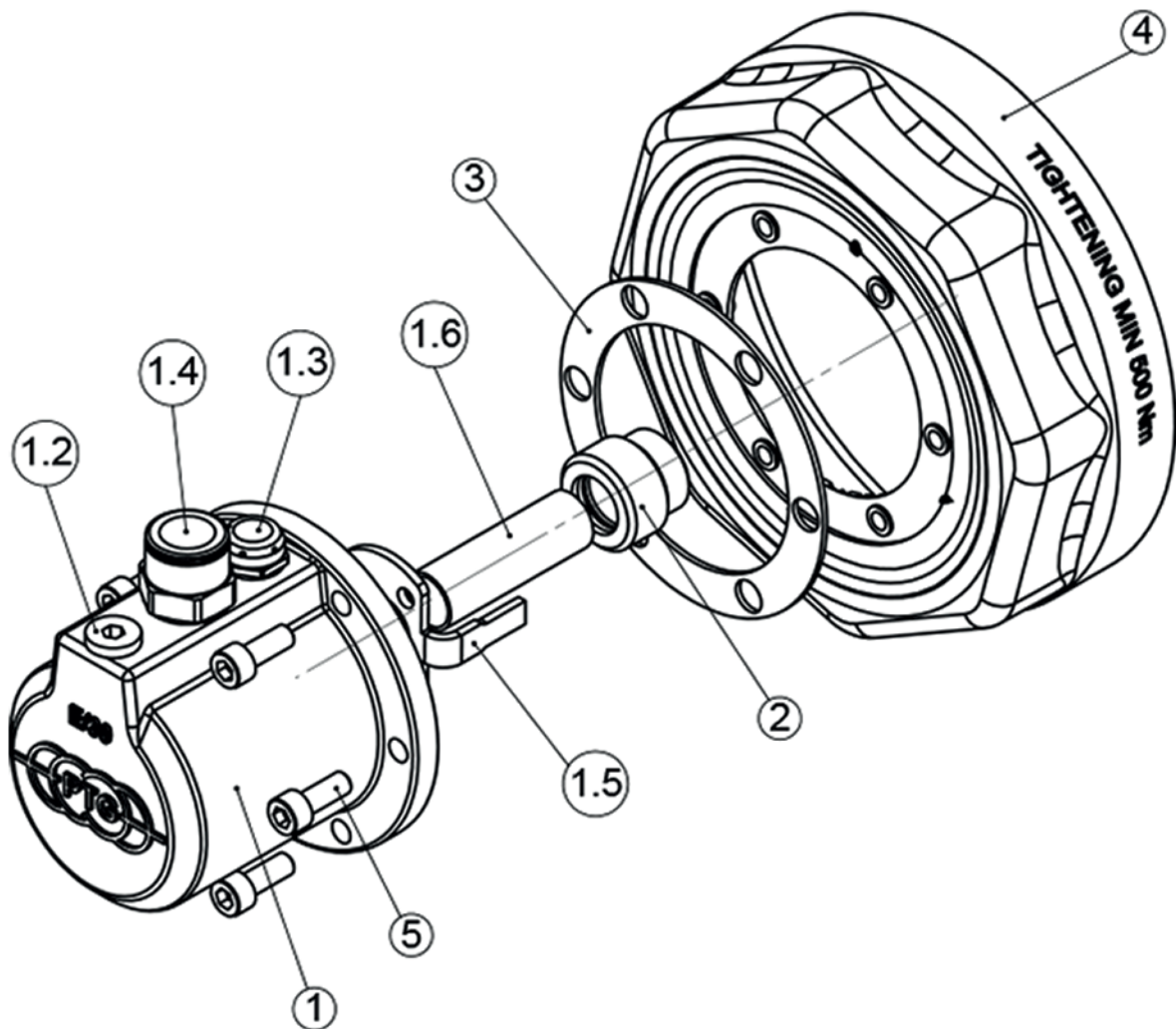
Rotary union 1L for ADR axle AF155



Pos.	Quantity	Part number	Description	Dimension
1	1	PTG-X-120-049	RDS/GW Rotary union	1L
1.1	1	PTG-R-670-020	Repair set rotary union GW	1L
1.2	1	PTG-X-867-083	Hexagonal socket seal plug with O-ring	1/8"
1.3	1	PTG-X-130-016	Pressure equalization element	M12 x 1,5
1.4	1	PTG-X-863-004	Straight plug-in connector	1/2" - 14
1.5	1	PTG-X-321-218	Torque support	-
1.6	1	PTG-X-713-018	Tube section PA blue, length 50 mm	16 x 1
2	1	PTG-X-860-166	Straight screw socket to 16 mm PA tube	3/4"
3	1	PTG-X-136-089	Flat gasket for rotary union	-
4	1	PTG-X-125-032	Grease cap	-
5	1	PTG-X-720-044	6x cylinder screws coated with threadlocker	M6 x 16



Rotary union 1L for ADR axle AF145



Pos.	Quantity	Part number	Description	Dimension
1	1	PTG-X-120-050	RDS/GW 1L Rotary union	1L
1.1	1	PTG-R-670-020	Repair set rotary union GW	1L
1.2	1	PTG-X-867-083	Hexagonal socket seal plug with O-ring	1/8"
1.3	1	PTG-X-130-016	Pressure equalization element	M12 x 1,5
1.4	1	PTG-X-863-004	Straight plug-in connector	1/2"- 14
1.5	1	PTG-X-321-219	Torque support	-
1.6	1	PTG-X-713-018	Tube section PA blue, length 50 mm	16 x 1
2	1	PTG-X-860-166	Straight screw socket to 16 mm PA tube	3/4"
3	1	PTG-X-136-089	Flat gasket for rotary union	-
4	1	PTG-X-125-033	Grease cap	-
5	1	PTG-X-720-044	6x cylinder screws coated with threadlocker	M6 x 16



Spare parts catalogue 2024
Valid from 01.01.2024

Rotary union RDS/GW 1L and 2L SW145,155,190 ADR



PTG-X-121-009
Rotary union kit RDS/GW 2L for
ADR axle, AF145



PTG-X-121-012
Rotary union kit RDS/GW 1L for
ADR axle, AF145



PTG-X-121-008
Rotary union kit RDS/GW 2L for
ADR axle, AF155



PTG-X-121-011
Rotary union kit RDS/GW 1L for
ADR axle, AF155



PTG-X-121-007
Rotary union kit RDS/GW 2L for
ADR axle, AF190



PTG-X-121-010
Rotary union kit RDS/GW 1L for
ADR axle, AF190



PTG-X-120-048
RDS/GW 2L Rotary union, axle
ADR AF145



PTG-X-120-050
RDS/GW 1L Rotary union, axle
ADR AF145



PTG-X-120-047
RDS/GW 2L Rotary union, axle
ADR AF155 and AF190



PTG-X-120-049
RDS/GW 1L Rotary union, axle
ADR AF155 & AF190



PTG-X-125-033
Grease cap ADR axle AF145



PTG-X-125-032
Grease cap ADR axle AF155



PTG-X-125-031
Grease cap ADR axle AF190



Spare parts catalogue 2024
Valid from 01.01.2024

Repair kits and individual parts for rotary union BPW and ADR



PTG-R-670-019
Repair set rotary union GW 2-lines
for 11-t, 12-t and 14-t BPW, ADR
AF145, AF155, AF190



PTG-R-670-020
Repair set rotary union GW 1-line
for 11 t, 12 t and 14 t BPW, ADR
AF145, AF155 and AF190



PTG-X-321-306
Torque support 11to axle BPW



PTG-X-321-072
Torque support 12 t axle BPW



PTG-X-321-073
Torque support 14 t axle BPW



PTG-X-321-219
Torque support ADR, small axle,
SW145



PTG-X-321-218
Torque support ADR, big axle,
SW190 and SW155



PTG-X-713-025
Tube section PA 16 x 1 blue,
length 67mm, for BPW 11to axle



PTG-X-713-018
Tube section PA 16 x 1 blue,
length 50 mm, for BPW 12 t axle,
ADR AF145, AF155 & AF190



PTG-X-713-017
Tube section PA 16 x 1 blue,
length 55 mm, for BPW 14 t axle



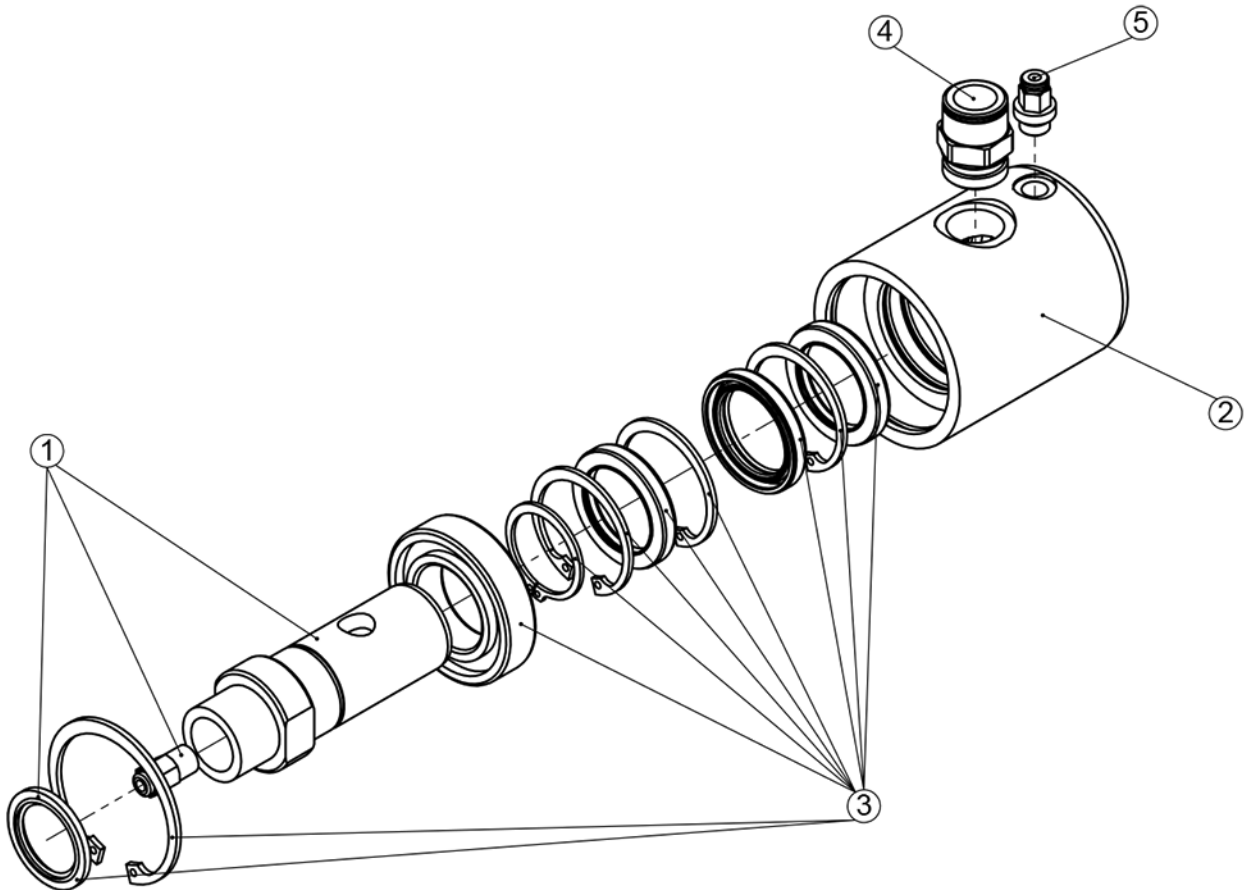
PTG-X-136-089
Flat gasket for rotary union



PTG-X-860-166
Straight screw socket 3/4" to 16
mm PA tube



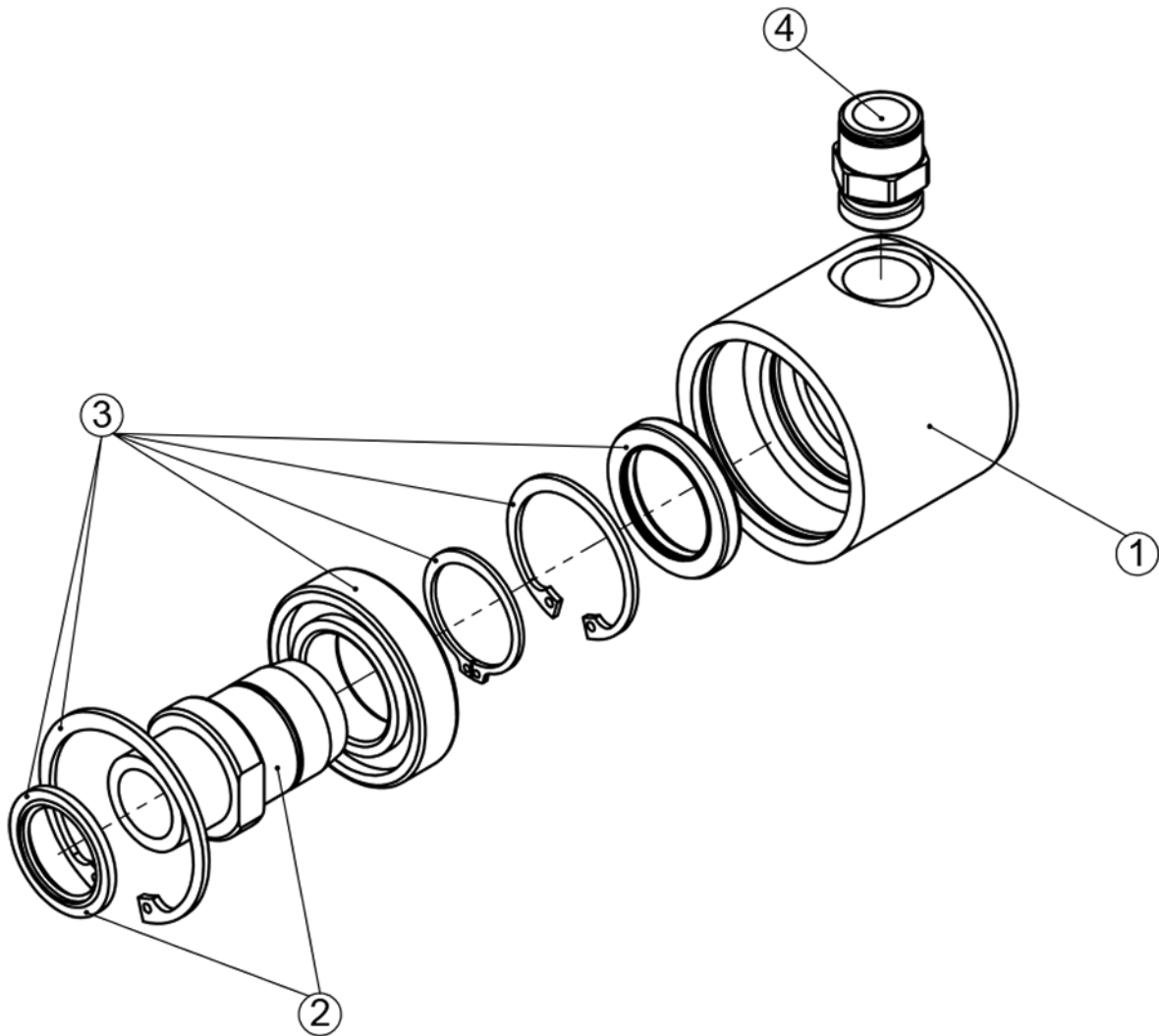
Rotary union RDS/GW 2L for slurry tankers and trailers Universal axle



Pos.	Quantity	Part number	Description	Dimension
1	1	PTG-X-125-002	RDS/GW shaft	2L
2	1	PTG-X-126-015	Rotor (housing) RDS/GW	2L
3	1	PTG-R-670-001	Rotary union repair kit RDS/GW	-
4	1	PTG-X-863-004	Straight plug-in connector	1/2" - 14
5	1	PTG-X-867-106	Straight plug-in connector blue, with O-ring	1/8" - 4



Rotary union RDS/GW 1L for slurry tankers and trailers Universal axle



Pos.	Quantity	Part number	Description	Dimension
1	1	PTG-X-126-061	Rotor (housing) RDS/GW	1L
2	1	PTG-X-125-013	RDS/GW shaft	1L
3	1	PTG-R-670-011	Rotary union repair kit RDS/GW	-
4	1	PTG-X-863-004	Embout Enfichable droit	1/2" - 14



Spare parts catalogue 2024
Valid from 01.01.2024

Rotary union RDS/GW 1L and 2L universal



PTG-X-120-001

Rotary union RDS/GW 2L with 3/4" connector and 14mm + 4mm socket



PTG-X-120-024

Rotary union RDS/GW 1L 3/4" and 14mm PA pipe connector



PTG-X-126-015

Rotor (housing) RDS/GW 2L



PTG-X-126-061

Rotor (housing) RDS/GW 1L



PTG-X-125-002

RDS/GW 2L shaft



PTG-X-125-013

RDS/GW 1L shaft



PTG-R-670-001

Rotary union repair kit RDS/GW 2L



PTG-R-670-011

Rotary union repair kit RDS/GW 1L

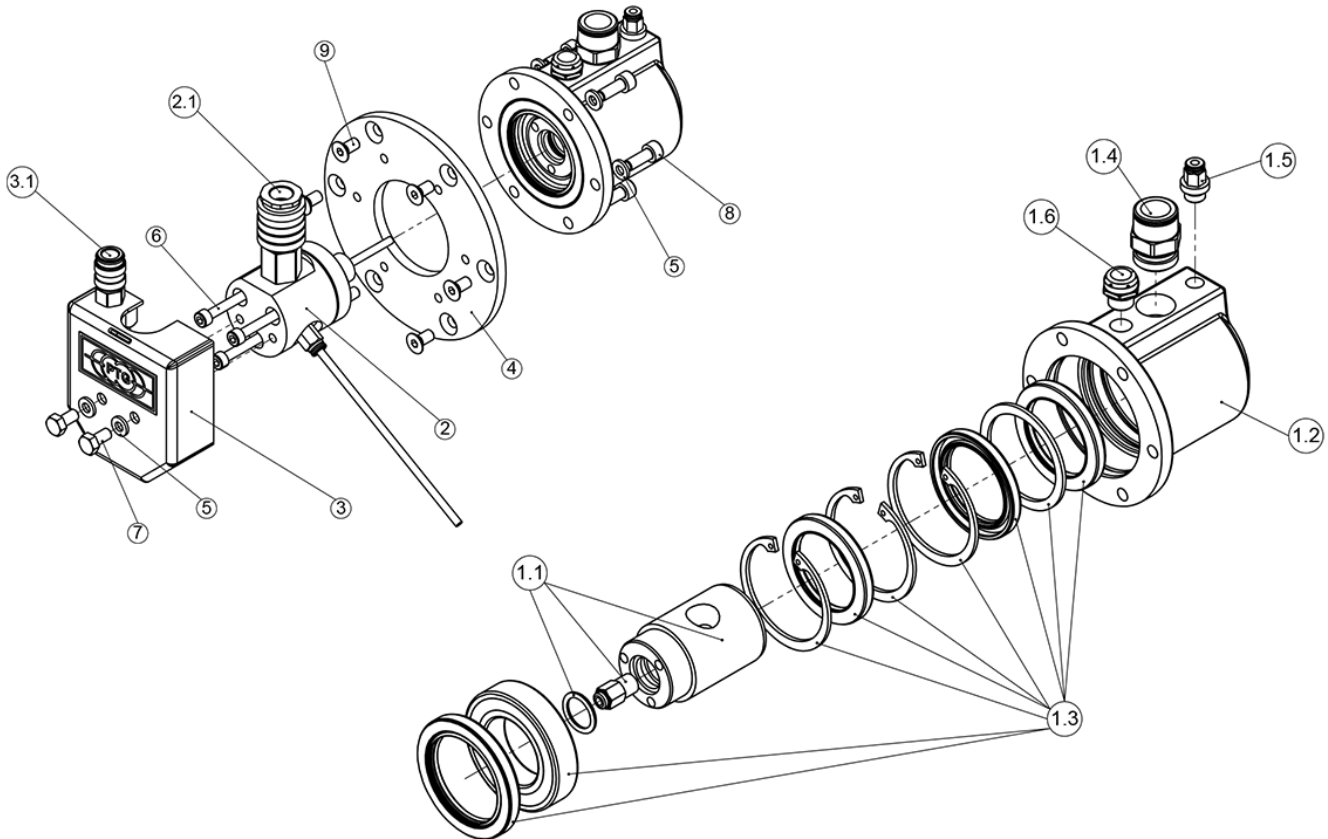


PTG-X-130-002

Protection ring with V-seal



AIRBOX/drive 2L for slurry tankers and trailers 14 mm PA tube



Pos.	Quantity	Part number	Description	Dimension
1.1	1	PTG-X-125-008	Stator (shaft)	–
1.2	1	PTG-X-126-146	Rotor (housing)	–
1.3	1	PTG-R-670-021	Repair kit rotary union	–
1.4	1	PTG-X-863-004	Straight plug-in connector	1/2" - 14
1.5	1	PTG-X-867-106	Straight plug-in connector, blue, with O-ring	1/8" - 4
1.6	1	PTG-X-130-016	Pressure equalization element	M12 x 1,5
2	1	PTG-X-125-034	Connector assembly	–
2.1	1	PTG-X-732-032	Plug-in connector male	DN7,8 3/8" AG
3	1	PTG-X-900-074	Protectiv plate with dust cover AIRBOX/drive rotary union	–
3.1	1	PTG-X-731-105	Plug-in connector male	DN5 1/8"
4	1	PTG-X-321-155	Baseplate mounting for rotary union and brackets	–
5	8	PTG-X-721-044	O ring	6,4 A2
6	3	PTG-X-721-158	Cylinder screw coated with threadlocker	M5 x 50
7	2	PTG-X-721-156	Hexagonal screw coated with threadlocker	M6 x 12
8	1	PTG-X-720-044	6x cylinder screws coated with threadlocker	M6 x 16
9	1	PTG-X-720-052	6x countersunk screws coated with threadlocker	M6 x 12



Spare parts catalogue 2024
Valid from 01.01.2024

Rotary union AIRBOX/drive 1L+2L NLS



PTG-X-120-051
AIRBOX/drive 2L rotary union,
screwable, 14-pipe system



PTG-X-120-052
AIRBOX/drive 1L rotary union,
14-pipe system



PTG-X-125-008
Stator (shaft) AIRBOX/drive 2L,
14-pipe system



PTG-X-125-037
Stator (shaft) AIRBOX/drive 1L,
14-pipe system



PTG-X-125-034
Connector assembly
AIRBOX/drive 2L



PTG-X-125-036
Connector assembly
AIRBOX/drive 1L



PTG-R-670-021
Repair kit rotary union
AIRBOX/drive 2L, 14-pipe system



PTG-R-670-022
Repair kit rotary union
AIRBOX/drive 1L, 14-pipe system



PTG-X-900-075
AIRBOX/drive 2L cover, 14-pipe
system, black



PTG-X-900-076
AIRBOX/drive 1L cover, 14-pipe
system, black



PTG-X-321-155
Baseplate mounting for rotary
union and brackets



PTG-X-720-044
Bag with 6x cylinder screws M6 x
16, coated with threadlocker



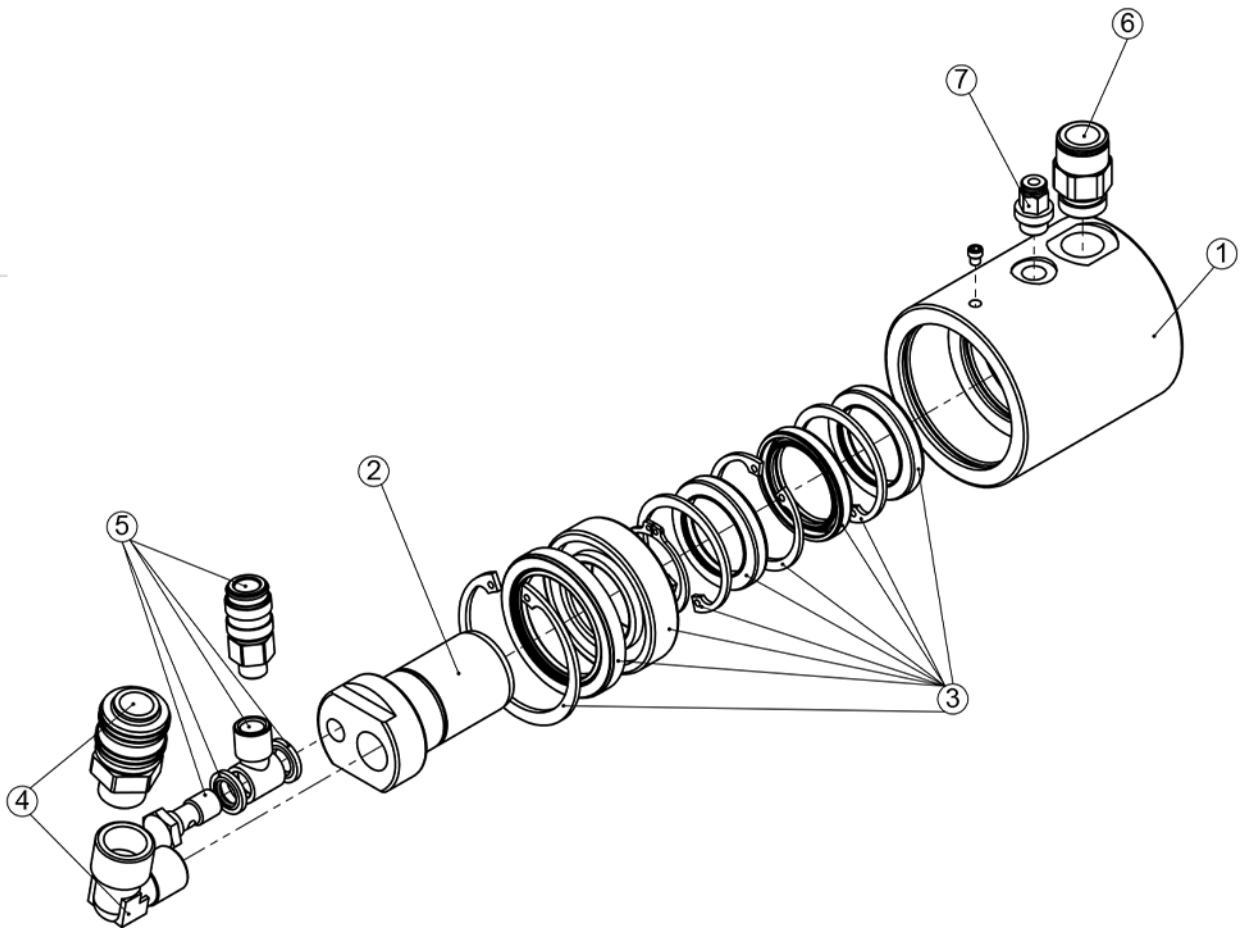
PTG-X-720-052
Bag of 6x countersunk screws M6
x 12 TORX, coated with
threadlocker



PTG-X-130-016
Pressure equalization element
M12 x 1,5



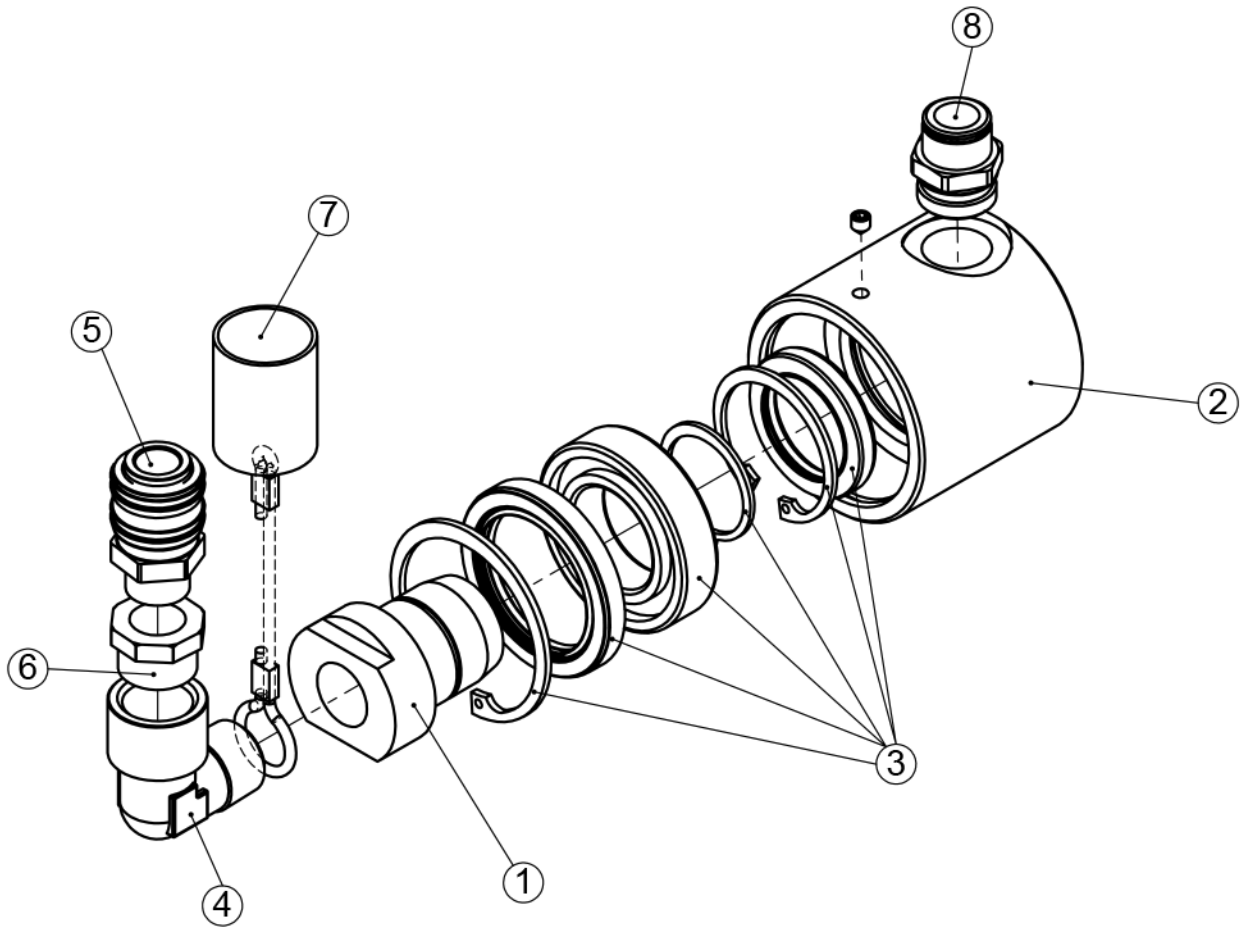
AIRBOX/drive 2L for slurry tankers and trailers 12 mm PA tube



Pos.	Quantity	Part number	Description	Dimension
1	1	PTG-X-126-065	Rotor (housing) AIRBOX/drive	2L
2	1	PTG-X-126-016	Stator (shaft) AIRBOX/drive	2L
3	1	PTG-R-670-002	Rotary union repair kit	2L
4	1	PTG-X-730-053	Rotary union working connection	2L
5	1	PTG-X-730-052	Rotary union control connection	2L
6	1	PTG-X-863-002	Straight plug-in connector	3/8" - 12
7	1	PTG-X-867-106	Straight plug-in connector	1/8" - 4



AIRBOX/drive 1L for slurry tankers and trailers 12 mm PA tube



Pos.	Quantity	Part number	Description	Dimension
1	1	PTG-X-126-047	Stator (shaft)	1L
2	1	PTG-X-126-080	Rotor (housing)	1L
3	1	PTG-R-670-015	Rotary union repair kit	1L
4	1	PTG-X-861-138	Elbow connector	1/2"-1/2i
5	1	PTG-X-731-019	Plug-in connector	DN7,2 3/8"
6	1	PTG-X-861-094	Reducer connector	1/2"- 3/8"i
7	1	PTG-X-900-006	Protective cap	-
8	1	PTG-X-863-028	Straight plug-in connector	1/2"- 12



Spare parts catalogue 2024
Valid from 01.01.2024

Rotary union AIRBOX/drive 1L+2L

PTG-X-120-028

Rotary union AIRBOX/drive 2L



PTG-X-120-032

Rotary union AIRBOX/drive 1L



PTG-X-126-065

Rotor (housing) AIRBOX/drive 2L



PTG-X-126-080

Rotor (housing) AIRBOX/drive 1L



PTG-X-126-016

Stator (shaft) AIRBOX/drive 2L



PTG-X-126-047

Stator (shaft) AIRBOX/drive 1L



PTG-R-670-002

**Rotary union repair kit
AIRBOX/drive 2L**



PTG-R-670-015

**Rotary union repair kit
AIRBOX/drive 1L**



PTG-X-730-053

**Rotary union working connection
AIRBOX/drive 2L**



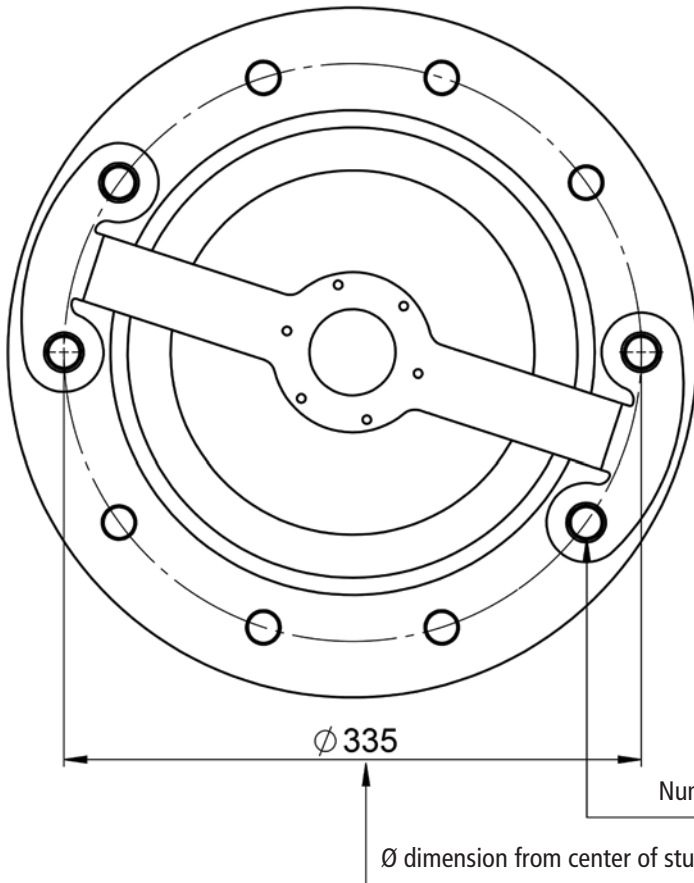
PTG-X-730-052

**Rotary union control connection
AIRBOX/drive 2L**





Bracket set screw round flanges



Example:

PTG-X-350-005
Bracket set screw round flanges
(per axle)
10/335 suitable for M-bracket



Spare parts catalogue 2024

Valid from 01.01.2024

Flanges

PTG-X-350-001

Bracket set screw-flanges (per axle) 8/203+205 for S Bracket



PTG-X-350-002

Bracket set screw-flanges (per axle) 8/275 for S Bracket



PTG-X-350-003

Bracket set screw-flanges (per axle) 8/330 for L-Bracket



PTG-X-350-004

Bracket set screw-flanges (per axle) 8/405 for L Bracket



PTG-X-350-033

Bracket set screw-flanges (per axle) 10/285 for S bracket



PTG-X-350-005

Bracket set screw-flanges (per axle) 10/335 for M Bracket



PTG-X-350-034

Bracket set screw-flanges (per axle) 10/335-6R rear axle with wheel weight, specific design, S bracket



PTG-X-350-035

Bracket set screw-flanges (per axle) 12/355 for L Bracket



PTG-X-350-043

Bracket set screw-flanges (per axle) 12/400 for XL Brackets



PTG-X-350-006

Bracket set screw-flanges (per axle) 12/425 for L bracket



PTG-X-350-007

Bracket set screw-flanges (per axle) 12/500 for XL bracket



PTG-X-350-008

Bracket set screw-flanges (per axle) 16/400 for XL Bracket





Spare parts catalogue 2024
Valid from 01.01.2024

Brackets and Half brackets



PTG-X-350-039
Half bracket arms, S size, (per axle) for : 8/203+205, 8/275, 10/285, 10/335-6R



PTG-X-350-040
Half bracket arms, M size, (per axle) for : 10/335



PTG-X-350-041
Half bracket arms, L size, (per axle) for: 8/330, 8/405, 12/425, 12/355



PTG-X-350-042
Half bracket arms, XL size, (per axle) for: 12/400, 12/500, 16/400



PTG-X-350-044
Adaptation kit for divided brackets



PTG-X-321-098
Old type S size, (per wheel) for: 8/203 + 205, 8/275, 10/285



PTG-X-321-076
Old type M bracket, (per wheel) for: 10/335, 12/355



PTG-X-321-099
Old type L bracket, (per wheel) for: 8/330, 8/405, 12/425



PTG-X-321-105
Old type XL bracket, (per wheel) for: 12/400, 12/500, 16/400



Spare parts catalogue 2024
Valid from 01.01.2024

Telescopic tube



PTG-X-690-041

Telescopic tube, complete with fastener, for 11mm rubber hose, pipe elbow $\varnothing_{\text{external}} = 26 \text{ mm}$



PTG-X-690-022

Telescopic tube, complete with fastener, for 9 mm rubber hose, pipe elbow $\varnothing_{\text{external}} = 22 \text{ mm}$



PTG-X-690-048

Alu-Tube, 90° bent, for 11 mm OLN, 300 x 425 mm, black, $\varnothing_{\text{ext}} = 26 \text{ mm}$



PTG-X-690-025

Alu-Tube, 90° bent, for 9 mm OLN, 150 x 450 mm, $\varnothing_{\text{ext}} = 22 \text{ mm}$



PTG-X-690-039

Alu-Tube, 90° bent, for 11 mm OLN, 620 x 330 mm, $\varnothing_{\text{ext}} = 26 \text{ mm}$



PTG-X-690-034

Alu-Tube, 90° bent, for 9mm OLN, 620 x 450 mm, $\varnothing_{\text{ext}} = 22 \text{ mm}$



PTG-X-040-007

Mounting handle for telescopic tube; 11 mm tube variant, $\varnothing_{\text{Inside}} = 26 \text{ mm}$



PTG-X-040-008

Mounting handle for telescopic tube; 9 mm tube variant, $\varnothing_{\text{Inside}} = 22 \text{ mm}$



PTG-X-716-007

2 m roll of metal protecting tube for 11 mm OLN $\varnothing_{\text{Inside}} = 26 \text{ mm}$



PTG-X-716-001

2 m roll of metal protecting tube for 9 mm OLN $\varnothing_{\text{Inside}} = 22 \text{ mm}$

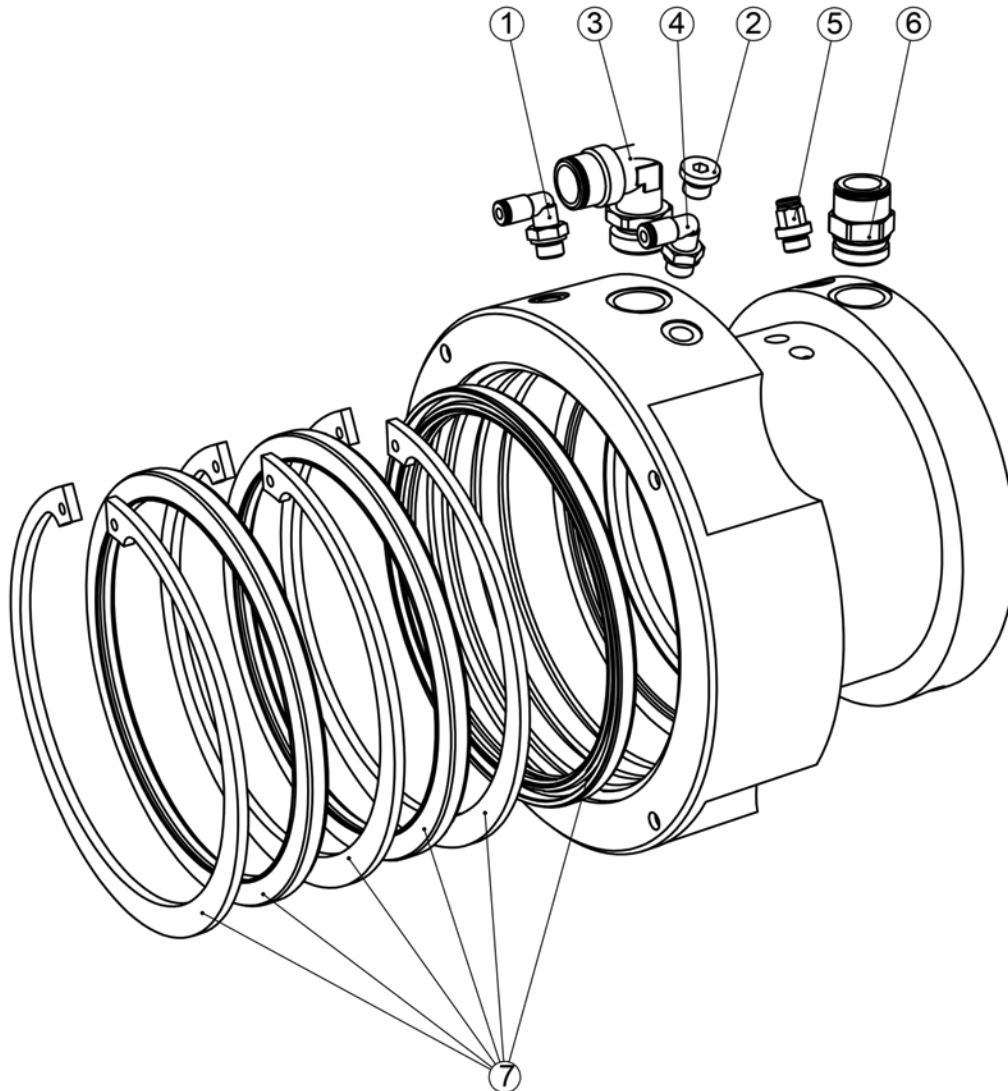


PTG-X-716-010

4 pieces heat shrink tubing for 32 pipe, 10 cm long



Rotary union for tractors with bar axle



Pos.	Quantity	Part number	Description	Dimension
1	1	PTG-X-867-111	Right angle plug-in connector blue with O-ring	1/8" - 4
2	1	PTG-X-867-083	Hexagonal socket seal plug with O-ring	1/8"
3	1	PTG-X-863-007	Swiveling elbow plug-in connector	1/2" - 14
4	1	PTG-X-867-114	Right angle plug-in connector yellow, with O-ring	1/8" - 4
5	1	PTG-X-867-106	Straight plug-in connector blue, with O-ring	1/8" - 4
6	1	PTG-X-863-004	Straight plug-in connector	1/2" - 14
7	1	PTG-R-670-016	Repair kit RDS/radial 160 for rotary union	Ø82,5 - Ø110
7	1	PTG-R-670-017	Repair kit RDS/radial 180 for rotary union	Ø115 - Ø127
7	1	PTG-R-670-023	Repair kit RDS/radial 210 for rotary union	Ø145



Spare parts catalogue 2024
Valid from 01.01.2024

Rotary union for tractors with bar axle



PTG-X-825-008

Rotary union for Ø92 axle,
screwable RDS/radial with clamp
ring



PTG-X-829-008

Rotary union for Ø 95 axle,
screwable RDS/radial with clamp
ring



PTG-X-821-008

Rotary union for Ø 100 axle,
screwable RDS/radial with clamp
ring, John Deere 6R



PTG-X-825-007

Rotary union for Ø 102 axle,
screwable RDS/radial with clamp
ring



PTG-X-833-005

Rotary union for Ø 105 axle,
screwable RDS/radial with clamp
ring



PTG-X-829-006

Rotary union for Ø 110 axle,
screwable RDS/radial with clamp
ring



PTG-X-823-008

Rotary union for Ø115 axle,
screwable RDS/radial with clamp
ring



PTG-X-821-011

Rotary union for Ø120 axle,
screwable RDS/radial with clamp
ring. John Deere 7R, 8R, 9R



PTG-X-831-012

Rotary union for Ø 120 axle,
screwable RDS/radial with clamp
ring



PTG-X-825-010

Rotary union for Ø 127 axle,
screwable RDS/radial with clamp
ring



PTG-X-835-001

Rotary union for Ø 145 axle,
screwable RDS/radial with clamp
ring



PTG-R-670-016

Repair kit RDS/radial 160 for
rotary union from Ø82,5 to Ø110



PTG-R-670-017

Repair kit RDS/radial 180 for
rotary union from Ø115 to Ø127



PTG-R-670-023

Repair kit RDS/radial 210 for
rotary union Ø145



Spare parts catalogue 2024
Valid from 01.01.2024

Clamp rings



PTG-X-126-128
Clamp ring Ø 82, Alu anodized,
blue



PTG-X-126-112
Clamp ring Ø 92, Alu anodized,
blue



PTG-X-126-097
Clamp ring Ø 95, Alu anodized,
blue



PTG-X-126-086
Clamp ring Ø 100, Alu anodized,
blue



PTG-X-126-108
Clamp ring Ø 102, Alu anodized,
blue



PTG-X-126-098
Clamp ring Ø 105, Alu anodized,
blue



PTG-X-126-099
Clamp ring Ø 110, Alu anodized,
blue



PTG-X-126-169
Clamp ring Ø 115 HD



PTG-X-126-173
Clamp ring Ø 120 HD



PTG-X-126-181
Clamp ring Ø125 HD



PTG-X-126-170
Clamp ring Ø 127 HD



PTG-X-126-175
Clamp ring Ø 140 HD



PTG-X-126-193
Clamp ring Ø 145 HD



Spare parts catalogue 2024
Valid from 01.01.2024

Rotors



PTG-X-125-023
Replacement rotor ring RDS/radial
for Ø82 mm



PTG-X-125-024
Replacement rotor ring RDS/radial
for Ø92 mm



PTG-X-125-025
Replacement rotor ring RDS/radial
for Ø95 mm



PTG-X-125-010
Replacement rotor ring RDS/radial
for Ø100 mm



PTG-X-125-026
Replacement rotor ring RDS/radial
for Ø105 mm



PTG-X-125-027
Replacement rotor ring RDS/radial
for Ø110 mm



PTG-X-125-028
Replacement rotor ring RDS/radial
for Ø115 mm



PTG-X-125-011
Replacement rotor ring RDS/radial
for Ø120 mm



PTG-X-125-039
Replacement rotor ring RDS/radial
for Ø125 mm



PTG-X-125-035
Replacement rotor ring RDS/radial
for Ø127 mm



PTG-X-125-040
Replacement rotor ring RDS/radial
for Ø140 mm



PTG-X-125-012
Replacement rotor ring RDS/radial
for Ø145 mm



Spare parts catalogue 2024
Valid from 01.01.2024

Corrugated tube DN19 + DN 23



PTG-X-690-027

Corrugated tube, DN 19, black, 2 m



PTG-X-690-033

Corrugated tube, DN 19, black, 5 m



PTG-X-690-028

Corrugated tube, DN 19, black, 7 m



PTG-X-690-036

Corrugated tube, DN 19, black, 10 m



PTG-X-690-046

Corrugated tube, DN 23, black, 5 m



PTG-X-690-054

Corrugated tube, DN12, black, 2,5m



Spare parts catalogue 2024
Valid from 01.01.2024

Plug-in connector and lines 4 mm PA



PTG-X-867-115
Straight plug-in connector 1/8" - 4,
yellow, with O-ring



PTG-X-867-113
Straight plug-in connector 1/8" - 4,
black, with O-ring



PTG-X-867-112
Straight plug-in connector 1/8" - 4,
red, with O-ring



PTG-X-867-106
Straight plug-in connector 1/8" - 4,
blue, with O-ring



PTG-X-867-014
Straight plug-in connector 1/8" - 4,
with O-ring



PTG-X-867-114
Right angle plug-in connector
1/8" - 4, yellow, with O-ring



PTG-X-867-116
Right angle plug-in connector
1/8" - 4, black, with O-ring



PTG-X-867-118
Right angle plug-in connector
1/8" - 4, red, with O-ring



PTG-X-867-111
Right angle plug-in connector
1/8" - 4, blue with O-ring



PTG-X-867-015
Right angle plug-in connector
1/8" - 4, with O-ring



PTG-X-867-070
Right angle plug-in connector
1/8" - 4, female, with O-ring



PTG-X-867-117
T plug-in connector 1/8" - 4 - 4,
blue, with O-ring



PTG-X-867-079
T plug-in connector 1/8" - 4 - 4,
blue, with O-ring



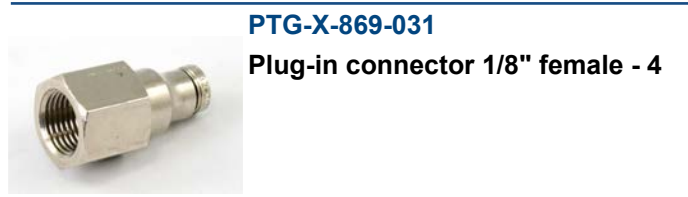
PTG-X-869-026
T Plug-in connector for 4 - 4 - 4



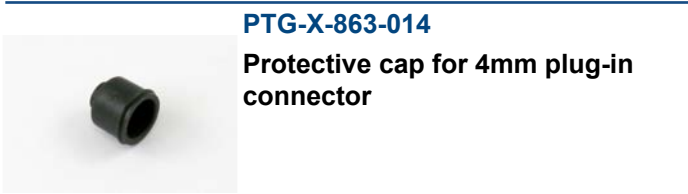
Spare parts catalogue 2024
Valid from 01.01.2024



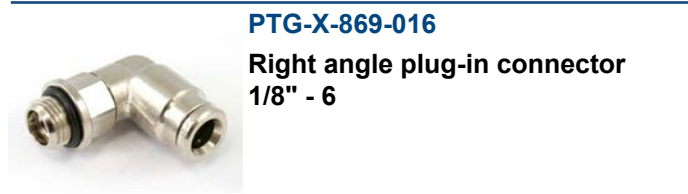
PTG-X-869-024
Plug-in connector 4 - 4



PTG-X-869-031
Plug-in connector 1/8" female - 4



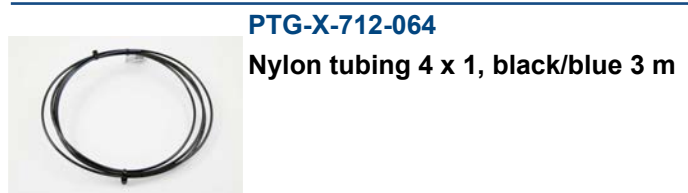
PTG-X-863-014
Protective cap for 4mm plug-in connector



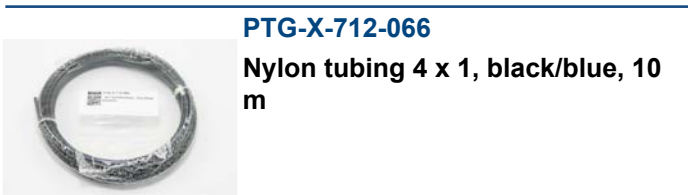
PTG-X-869-016
Right angle plug-in connector 1/8" - 6



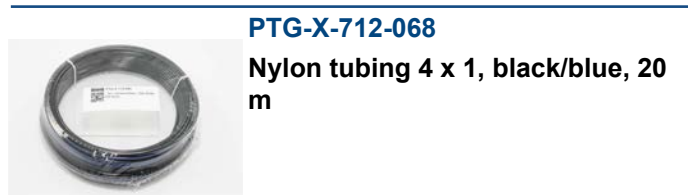
PTG-X-869-038
Straight plug-in connector 1/8" - 6



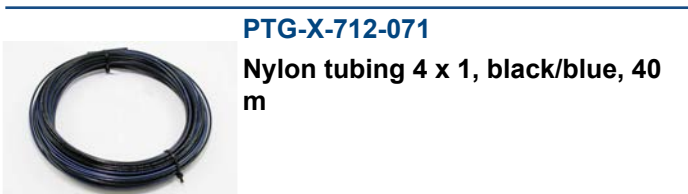
PTG-X-712-064
Nylon tubing 4 x 1, black/blue 3 m



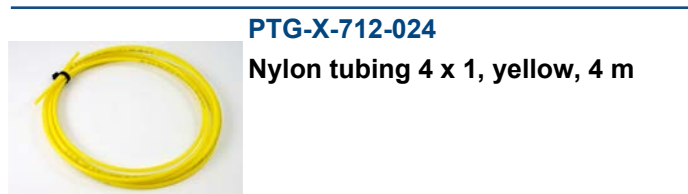
PTG-X-712-066
Nylon tubing 4 x 1, black/blue, 10 m



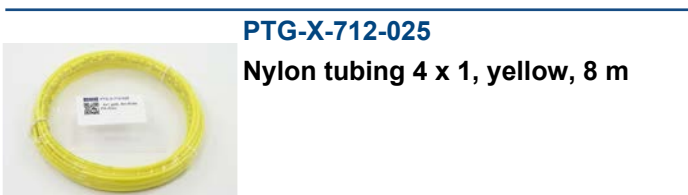
PTG-X-712-068
Nylon tubing 4 x 1, black/blue, 20 m



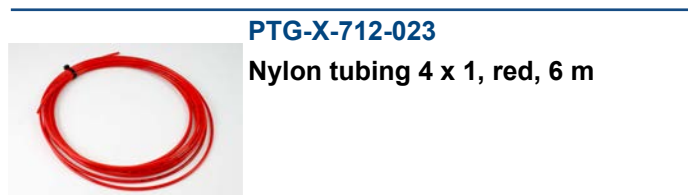
PTG-X-712-071
Nylon tubing 4 x 1, black/blue, 40 m



PTG-X-712-024
Nylon tubing 4 x 1, yellow, 4 m



PTG-X-712-025
Nylon tubing 4 x 1, yellow, 8 m



PTG-X-712-023
Nylon tubing 4 x 1, red, 6 m



Spare parts catalogue 2024
Valid from 01.01.2024

Plug-in connector and lines 12 mm PA



PTG-X-863-002
Straight plug-in connector
3/8" - 12



PTG-X-863-028
Straight plug-in connector
1/2" - 12



PTG-X-863-046
Straight plug-in connector
M22,5 x 1,5 - 12



PTG-X-863-023
Swiveling elbow plug-in connector
3/8" - 12



PTG-X-863-017
Swiveling elbow plug-in connector
1/2" - 12



PTG-X-863-042
Swiveling elbow plug-in connector
M22,5 x 1,5 - 12



PTG-X-863-051
T plug-in connector
3/8" - 12 - 12



PTG-X-863-055
T plug-in connector
1/2" - 12 - 12



PTG-X-863-058
Straight plug-in connector
12 - 12



PTG-X-863-074
Elbow plug-in connector 12 - 12



PTG-X-863-031
T plug-in connector 12 - 12 - 12



PTG-X-712-072
Nylon tubing 12 x 1.5 black, 3 m



PTG-X-712-005
Nylon tubing 12 x 1,5 black, 12 m



Spare parts catalogue 2024
Valid from 01.01.2024

Plug-in connector and lines 14 mm PA



PTG-X-863-010
Straight plug-in connector
3/8" - 14



PTG-X-863-004
Straight plug-in connector for 1/2"
- 14.



PTG-X-863-084
Straight plug-in connector
M22x1,5 - 14



PTG-X-863-052
Swiveling elbow plug-in connector
3/8" - 14



PTG-X-863-007
Swiveling elbow plug-in connector
1/2" - 14



PTG-X-863-085
Swiveling elbow plug-in connector
M22 x 1,5 - 14



PTG-X-863-056
Swiveling T-connector 3/8" - 14 -
14



PTG-X-863-095
T plug-in connector M22 x 1,5 - 14
- 14



PTG-X-863-057
Straight plug-in connector 14 - 14



PTG-X-863-075
Elbow plug-in connector 14 - 14



PTG-X-863-053
T plug-in connector 14 - 14 - 14



PTG-X-867-165
Reduction plug-in 4 - 14



PTG-X-867-170
Reduction plug-in 12 - 14



PTG-X-863-067
Protective cap for 14 mm plug-in
connector



Spare parts catalogue 2024

Valid from 01.01.2024



PTG-X-860-029

Y-piece, rigid axle connector 2L
1/2" - 14 - 4



PTG-X-860-030

Y-piece, rigid axle connector 2L
1/2" - 14 - 4 - 4 with measuring
connector



PTG-X-860-003

Axle elbow connector 2L
1/2" - 14 - 4



PTG-X-860-002

Axle connector 2L 1/2" - 14 - 4



PTG-X-712-073

Nylon Tubing 14 x 1,5 black/blue,
3 m



PTG-X-712-074

Nylon tubing 14 x 1,5 black/blue, 8
m



PTG-X-712-075

Nylon tubing 14 x 1,5 black/blue,
12 m



PTG-X-712-076

Nylon tubing 14 x 1,5 black/blue,
15 m



PTG-X-712-077

Nylon tubing 14 x 1,5 black/blue,
20 m



PTG-X-890-001

Tube cutter



Spare parts catalogue 2024
Valid from 01.01.2024

Hose connectors



PTG-X-731-037
Hose connector 1/4" - 9mm OLN
hose



PTG-X-731-014
Hose connector 3/8" - 9mm OLN
hose



PTG-X-861-009
Hose connector 3/8" - 11mm OLN
hose



PTG-X-861-182
Hose connector 1/2" - 11mm OLN
hose



PTG-X-867-019
Hose connector 1/2" - 13mm
OLN hose



PTG-X-862-022
Hose connector M22x1,5 - 13mm
OLN hose



PTG-X-867-023
Hose connector 1/2" - 19mm OLN
hose



PTG-X-867-076
Hose connector 3/4" - 19mm OLN
hose



PTG-X-860-170
T Measure piece 14 PA tube to 11
mm OLN with 4mm nylon tube
connector



PTG-X-860-169
Adaptor fitting 14 nylon tubing to
11mm OLN hose



PTG-X-042-020
Stepless ear clamp for 9mm OLN



PTG-X-042-024
Stepless ear clamp for 11 mm
OLN



PTG-X-042-015
Hose clamp 20-32



Spare parts catalogue 2024
Valid from 01.01.2024

OLN hose, steel mesh hose and high pressure hose



PTG-X-717-010
OLN hose 9 mm, 10 m



PTG-X-717-012
OLN hose 11 mm, 10 m



PTG-X-717-015
OLN hose 11 mm, 20 m



PTG-X-717-008
OLN hose 13 mm , 4 m, for
V2000AS/S1000G2



PTG-X-717-006
Steel mesh hose Øi 19 mm, 3m



PTG-X-717-007
Compressor high pressure hose
Øi 19 mm, 3 m



Spare parts catalogue 2024
Valid from 01.01.2024

Plug-in connectors



PTG-X-730-014
Blind plug for AD2L



PTG-X-900-073
Double protective cap black with cord for AD2L



PTG-X-730-041
Blind plug for AD1L



PTG-X-900-010
Protective cap with cord for AD1L



PTG-X-731-105
Plug-in connector DN5 1/8" male



PTG-X-731-052
Plug-in connector DN5 1/8" male



PTG-X-732-015
Plug-in connector DN7, 1/4" male



PTG-X-731-019
Plug-in connector DN7,2 3/8" male



PTG-X-732-032
Plug-in connector DN7,8", 3/8" male



PTG-X-732-036
Plug-in connector DN7,8, 3/8" female



PTG-X-731-074
Plug-in connector DN10, 3/8" female



PTG-X-900-002
Protective cap SK27 with cord and loop for PTG-X-731-074



PTG-X-731-084
Plug-in fitting for DN10 for 13mm OLN hose



PTG-X-900-009
Protective cap SK15 with cord and loop for PTG-X-731-084



Spare parts catalogue 2024
Valid from 01.01.2024



PTG-X-730-066
Safety quick coupling
1/2"



PTG-X-900-077
Protective cap for
PTG-X-730-066



PTG-X-730-067
Safety plug-in fitting 1/2"



PTG-X-735-002
Plug-in connector for AB/drive 2L
for 4mm nylon tubing to DN5 plug
in connector



PTG-X-731-017
Plug-in fitting for DN7,2 DN7,4
DN7,8 for 9mm OLN tube



PTG-X-732-029
Plug-in fitting for DN7,2 DN7,4
DN7,8 for 11mm OLN tube



Spare parts catalogue 2024
Valid from 01.01.2024

Seal plugs and composite seal rings

	PTG-X-869-059 Seal plug for 4 mm plug-in fitting		PTG-X-869-064 Seal plug for 12 mm plug-in fitting
	PTG-X-863-094 Seal plug for 14 mm plug-in fitting		PTG-X-867-083 Hexagonal socket seal plug 1/8" with O-ring
	PTG-X-867-063 Hexagonal socket seal plug 1/4" with O-ring		PTG-X-867-007 Hexagonal socket seal plug 3/8" with O-ring
	PTG-X-867-008 Hexagonal socket seal plug 1/2" with O-ring		PTG-X-861-090 Hexagonal seal plug 1/8"
	PTG-X-861-081 Hexagonal seal plug 1/4"		PTG-X-870-009 blind plug M22x1,5 with o-ring
	PTG-X-134-017 Composite O-ring 1/4"		PTG-X-134-034 Composite O-ring 3/8"
	PTG-X-134-035 Composite O-ring 1/2"		



Spare parts catalogue 2024
Valid from 01.01.2024

Various connectors



PTG-X-861-030
Double fitting 1/8" k



PTG-X-861-027
Double fitting 1/4" k



PTG-X-861-051
Double fitting 3/8" k



PTG-X-861-158
Double fitting 1/2" k



PTG-X-861-175
Double reduction fitting 3/8" k
- 1/2" k



PTG-X-862-010
Reducer connector M22 x 1.5 male
- 1/2" female



PTG-X-861-117
Reducer connector 3/8" male -
1/8" female



PTG-X-861-086
Reducer connector 1/2" male -
1/8" female



PTG-X-861-094
Reducer connector 1/2" male -
3/8" female



PTG-X-862-008
Reducer connector M16 x 1,5 male
- 1/8" female



PTG-X-862-009
Reducer connector M22x1,5 male -
3/8" female



PTG-X-862-045
Reducer connector M22 x 1,5 male
- M16 x 1,5 female



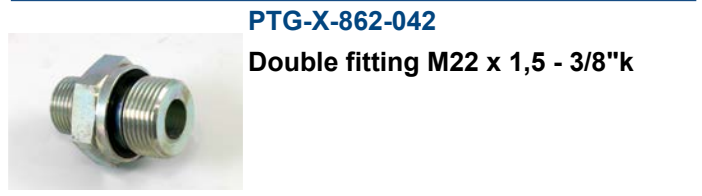
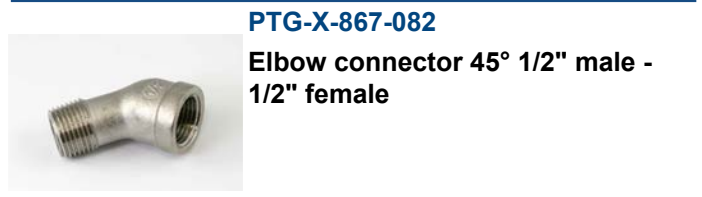
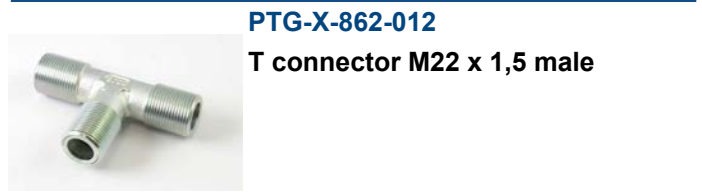
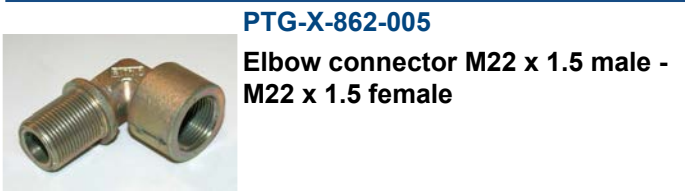
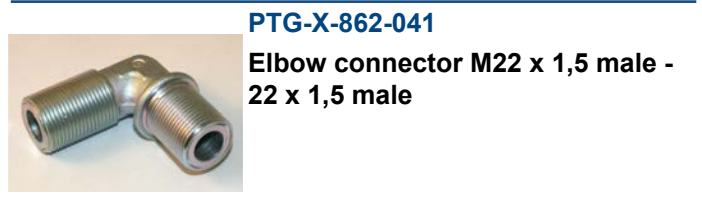
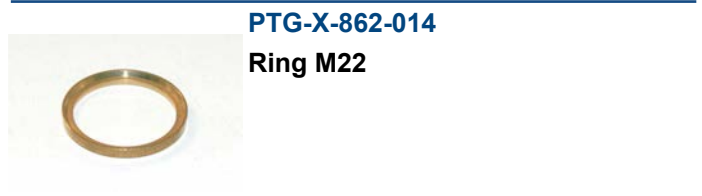
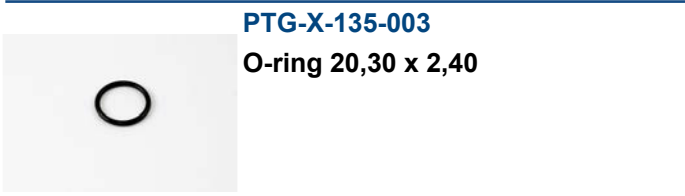
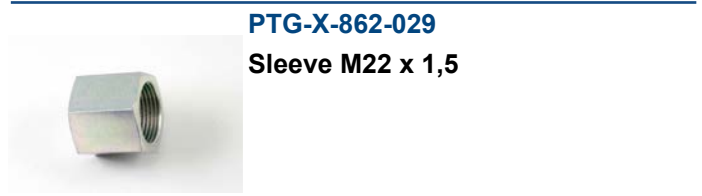
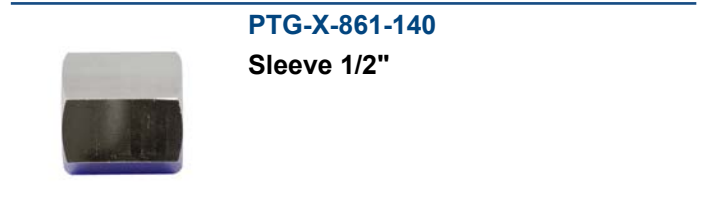
PTG-X-861-111
Sleeve 1/8"



PTG-X-861-112
Sleeve 1/4"



Spare parts catalogue 2024
Valid from 01.01.2024





Spare parts catalogue 2024
Valid from 01.01.2024



PTG-X-862-031
Straight screw connector 1/2\"
-22L



PTG-X-862-036
Straight screw connector 3/4\"
-22L



PTG-X-864-010
Ball valve 1/2\" female - 1/2\" female



PTG-X-860-026
Drain valve M22 x1,5 with o-ring



PTG-X-870-077
Automatic drainage valve, M22 x
1,5



PTG-X-130-001
Liquid sealant for pneumatics



Spare parts catalogue 2024
Valid from 01.01.2024

V2000AS/V2000/V4000



PTG-X-417-008
Air-Filter internal for compressor
V2000AS/V2000



PTG-X-417-009
Air-Filter internal for compressor
V4000



PTG-X-417-019
Service-Kit V2000AS/V2000



PTG-X-417-020
Service-Kit V4000



PTG-X-417-012
Oil filter for compressor
V2000AS/V2000



PTG-X-417-013
Oil filter for vane compressor
V4000



PTG-X-417-043
Plastic cover for V2000/V2000AS
air filter



PTG-X-417-044
Plastic cover for V4000 air filter



PTG-X-417-034
Suction regulator V2000AS/V2000



PTG-X-417-035
Suction regulator V4000



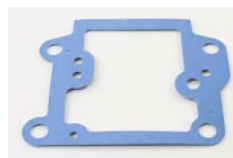
PTG-X-427-009
Conversion kit intake regulator
V2000/ V2000_AS



PTG-X-427-010
Conversion kit intake regulator
V4000



PTG-X-417-036
Sealing suction regulator
V2000AS/V2000



PTG-X-417-037
Sealing suction regulator V4000



Spare parts catalogue 2024

Valid from 01.01.2024



PTG-X-417-041
Enclosed manometer
V2000AS/V2000



PTG-X-417-042
Enclosed manometer V4000



PTG-X-417-045
O-ring for oil filter V2000AS/V2000



PTG-X-417-046
O-ring for oil filter V4000



PTG-X-417-054
Sealing kit for V2000 shaft



PTG-X-417-053
Sealing kit for V4000 shaft



PTG-X-417-040
Inspection glass
V2000AS/V2000/V4000



PTG-X-417-047
Thermal Switch
V2000AS/V2000/V4000



PTG-X-050-006
Compressor oil, S4 R 68, 5 liter for
V2000AS/V2000/V4000



PTG-X-312-158
V-belt V2000AS



Spare parts catalogue 2024
Valid from 01.01.2024

S1000G2/S1000/S2000/S4000



PTG-X-416-111
Oil filter S1000 G2



PTG-X-416-004
Oil filter S1000/S2000



PTG-X-416-104
Oil filter S4000



PTG-X-416-112
Oil separator filter S1000 G2



PTG-X-416-005
Oil separator filter S1000/S2000



PTG-X-416-105
Oil separator filter S4000



PTG-X-211-020
Air filter insert for S1000/S1000G2



PTG-X-211-007
Filter insert for the K3000 piston compressor and S2000/S4000 screw compressor



PTG-X-050-005
S3 R46 compressor oil, 5 liters for S1000G2/S1000/S2000/S4000



PTG-X-416-015
Sealing kit for S1000G2 shaft



PTG-X-416-009
Sealing kit for S1000 shaft



PTG-X-416-007
Sealing kit for S2000 shaft



PTG-X-416-008
Sealing kit for S4000 shaft



PTG-X-511-030
Temp Switch with Harness S1000G2



Spare parts catalogue 2024

Valid from 01.01.2024

PTG-X-511-028

Temperature switch for
S1000/S2000/S4000



PTG-X-416-010

Exchange seals for base flange
S4000



PTG-X-312-189

V-belt toothed S1000G2



PTG-X-312-174

V-belt toothed S1000





Spare parts catalogue 2024
Valid from 01.01.2024

K500/K1000



PTG-X-413-001
K5000 compressor with oil and air filter



PTG-X-414-001
K1000 compressor with oil and air filter



PTG-X-413-002
Air filter K500, until year of manufacture end 2015



PTG-X-414-004
Air filter K1000, until year of manufacture end 2015



PTG-X-414-028
Air filter for K500/K1000 compressor from 2016



PTG-X-711-032
Flexible outlet hose K1000/K500 3/4" - 19mm nozzle



PTG-X-050-004
LM 750 Compressor oil LM 750, 5 liters for K500/K1000/K3000



Spare parts catalogue 2024
Valid from 01.01.2024

K3000



PTG-X-415-001
K3000 Compressor with Oil



PTG-X-415-003
Right radiator K3000, without lid,
with silicone O-ring



PTG-X-415-004
Right radiator K3000, without lid,
with silicone O-ring



PTG-X-713-010
Output tube K3000, 1,5 m



PTG-X-440-002
Transition piece Ø60 female – Ø50
male for K3000 compressor



PTG-X-440-003
PVC elbow 90°



PTG-X-415-005
Cooler lid seal K3000



PTG-X-415-009
Valve cover seal, small, K3000



PTG-X-415-008
Valve cover seal, large, K3000



PTG-X-415-011
Toothed belt K3000



PTG-X-415-013
Check Valve K3000



PTG-X-415-010
Overpressure valve 12 bar K3000



PTG-X-415-033
Crankshaft seal K3000



Spare parts catalogue 2024
Valid from 01.01.2024

Couplings

	PTG-X-414-020 Coupling compressor K1000 + K500		PTG-X-413-006 Coupling oil engine K500
	PTG-X-414-019 Coupling oil engine K1000		PTG-X-414-018 Sprocket K500/K1000
	PTG-X-416-110 Coupling compressor S2000		PTG-X-416-107 Coupling compressor S4000
	PTG-X-416-106 Coupling oil engine S2000/S4000		PTG-X-416-108 Sprocket S2000/S4000



Spare parts catalogue 2024
Valid from 01.01.2024

Hydraulic motors and sealings



PTG-X-311-004
Axial piston motor Sunfab SCM
-12W, for S2000/S4000



PTG-X-311-007
Axial piston motor Sunfab SCM
-17W, for V2000



PTG-X-311-002
Axial piston motor Sunfab SCM
-34W, for V4000/K3000



PTG-X-130-020
Sealing kit for Sunfab oil engine



PTG-X-312-070
Gear engine Casappa PLM20.4R0
with leak oil plug for S2000/S4000
compressors



PTG-X-312-115
Gear engine Casappa PLM20.14R0
with leak oil plug for S1000
compressors



PTG-X-312-042
Gear engine Casappa PLM20.16R0
with leak oil plug for K500
compressors



PTG-X-312-157
Gear engine Casappa PLM20.20R0
with leak oil plug for V2000/AS
compressors



PTG-X-130-021
Sealing kit for Casappa oil engine
PLM20 with leak oil plug



PTG-X-312-065
Gear engine Casappa PLM30.38R0
with leak oil plug for K1000
compressors



PTG-X-130-015
Sealing kit for Casappa oil engine
PLM30 with leak oil plug



PTG-X-310-012
Gear engine Roquet 20,7 ccm,
1MG21CRE10B with leak oil plug
for V2000 AS



PTG-X-130-024
Sealing kit for Roquet oil engine
1MG21CRE108, with leak oil plug



Spare parts catalogue 2024
Valid from 01.01.2024

Hydraulic components



PTG-X-312-067
2/2-way valve 3/8" 12VDC
NC (normally closed) Load
Sensing



PTG-X-312-041
2/2-way valve 3/8" 12VDC
NO (normally open) Open Center



PTG-X-312-060
2/2-way valve 1/2" 12VDC
NC (normally closed) Load
Sensing



PTG-X-414-016
2/2-way valve 1/2" 12VDC
NO (normally open) Load Sensing



PTG-X-312-017
2/2-way valve 3/4" 12VDC
NC (normally closed) Load
Sensing



PTG-X-312-030
2/2-way valve 3/4" 12VDC
NO (normally open) Open Center



PTG-X-312-062
Flow control valve 3/8" for K500



PTG-X-414-017
Flow control valve 1/2" for
K1000/S1000/V2000 AS



PTG-X-312-031
Flow control valve 3/4" for
S2000/S4000/V2000/V4000



PTG-X-312-052
Switch valve Load Sensing



Spare parts catalogue 2024
Valid from 01.01.2024

Connector/Socket



PTG-X-190-008
Connector 2-pole



PTG-X-172-003
Socket 2-pole



PTG-X-190-007
Connector 3-pole



PTG-X-172-005
Socket 3-pole



PTG-X-190-010
Connector 6-pole



PTG-X-172-007
Socket 6-pole



PTG-X-172-002
Socket housing



Spare parts catalogue 2024
Valid from 01.01.2024

Regulation Units

PTG-X-620-028

Main regulator valve



PTG-X-970-001

Safety valve 6.5 bar



PTG-X-970-078

Safety valve 10,5 bar



PTG-X-961-179

Mini pressure regulator 0 - 3 bar,
for ERV Tractor, manometer box,
trailer, 1-line



PTG-X-155-009

Filter regulator, 0.2 – 6, ERV GW



PTG-X-961-174

Mini pressure regulator 0 – 4 bar,
manometer box, trailer, 1-line



PTG-X-155-011

Plastic glass for condenser for
pressure regulator



PTG-X-961-180

Mini pressure regulator 0 – 6 bar,
manometer box, trailer, 2-lines



PTG-X-867-022

Precision regulator 0,2 – 3 bar,
manometer box, trailer, 2-lines



PTG-X-867-001

Precision regulator 0,2 – 6 bar,
manometer box, trailer, 2-lines



PTG-X-620-061

Quick deflation valve M22 x 1.5
silencer with 14 mm push-in
fittings and 4 mm T-piece



PTG-X-620-014

Quick deflation valve M22 x 1.5
silencer and 14 mm push-in
fittings



PTG-X-136-055

Sealing quick deflation valve



PTG-X-870-071

Silencer M22 x 1,5





Spare parts catalogue 2024

Valid from 01.01.2024

PTG-X-706-002

Quick deflation valve



PTG-X-622-008

Manifold AD2L VA, PA14mm +
OLN 11mm



PTG-X-622-012

Dispatch block AD2L VA, 14mm +
plug-in connector for removable
fender



PTG Reifendruckregelsysteme GmbH
Habichtweg 9 . 41468 Neuss . Germany
Phone: +49 (0) 21 31 - 5 23 76 - 0 . E-Mail: ptg@ptg.info
www.ptg.info

Certified according DIN EN ISO 9001:2015

